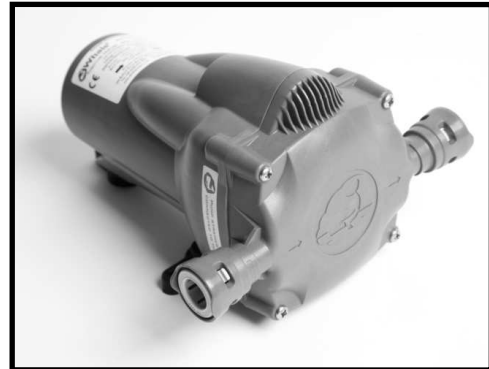




# INSTALLATION AND OPERATION MANUAL

## Whale® Watermaster® Automatic Pressure Pump

Power, Performance *plus* Protection



Model Number	Description
<b>Marine Models</b>	
FW0814(B)	2.0 GPM (8 ltrs), 12 V d.c., 2 bar (30 psi), 15mm Quick Connect Connections
FW1214(B)	3.0 GPM (11.5 ltrs), 12 V d.c., 2 bar (30 psi), 15mm Quick Connect Connections
FW1215(B)	3.0 GPM (11.5 ltrs), 12 V d.c., 3 bar (45 psi), 15mm Quick Connect Connections
FW1225(B)	3.0 GPM (11.5 ltrs), 24 V d.c., 3 bar (45 psi), 15mm Quick Connect Connections
FT0814B	2.0 GPM (8 ltrs), 12 V d.c., 2 bar (30 psi), ½" NPT threaded connection
FT1214B	3.0 GPM (11.5 ltrs), 12 V d.c., 2 bar (30 psi), ½" NPT threaded connection
FT1215B	3.0 GPM (11.5 ltrs), 12 V d.c., 3 bar (45 psi), ½" NPT threaded connection
FT1225B	3.0 GPM (11.5 ltrs), 24 V d.c., 3 bar (45 psi), ½" NPT threaded connection
<b>RV / Caravan Models</b>	
FP0814(B)	8 ltrs (2.0 GPM), 12 V d.c., 2 bar (30 psi), 12mm Quick Connect Connections

\*The 'B' suffix indicates that a bulk code is available

## CONTENTS

Page 2 English  
Page 8 French  
Page 14 German

Page 20 Italian  
Page 26 Spanish  
Page 32 Swedish

Page 38 Finnish

# INSTALLATION AND OPERATION MANUAL

## Whale® Watermaster® Automatic Pressure Pump

**ENG**

Thank you for purchasing this Whale® product. For over 40 years, Whale® has led the way in the design and manufacture of freshwater and waste systems including: pumps, plumbing, faucets and showers for low voltage applications. The company and its products have built a reputation for quality, reliability and innovation backed up by excellent customer service. For information on our full range of products visit [www.whalepumps.com](http://www.whalepumps.com)

### 1. SPECIFICATION

#### Marine Models

Product Code	FW0814(B)	FW1214(B)	FW1215(B)	FW1225(B)	FT0814B	FT1214B	FT1215B	FT1225B
<b>Voltage (V d.c.)</b>	12	12	12	24	12	12	12	24
<b>Open Flow Rate (per min)</b>	2.0 GPM (8 ltrs)	3.0 GPM (11.5 ltrs)			2.0 GPM (8 ltrs)	3.0 GPM (11.5 ltrs)		
<b>IP Rating</b>	IP65							
<b>Recommended Fuse Size (Amp Automotive)</b>	5	7.5	7.5	5	5	7.5	7.5	5
<b>Max Current Draw (amps)</b>	4	6	6	3.5	4	6	6	3.5
<b>Minimum Wire Size</b>	1.5mm <sup>2</sup> (16 AWG)							
<b>Weight</b>	1.5 kg (3.3 lbs)							
<b>Cut Out Pressure</b>	2 bar (30psi)		3 bar (45psi)		2 bar (30psi)		3 bar (45psi)	
<b>Inlet / Outlet Size</b>	Whale® Quick Connect 15mm Female Connections				1/2" NPT Threaded Connections			
<b>Materials</b>	<b>Pump Body:</b> Glass-filled Polypropylene, PBT (Polybutylene Terephylene) <b>Feet, Diaphragm &amp; Valves:</b> Monprene®, <b>Seals:</b> Nitrile®, <b>Fasteners:</b> Stainless Steel							
<b>Materials in Contact with Fluid</b>	Glass-filled Polypropylene, Monprene®, Nitrile®, Stainless Steel							
<b>Service Kits</b>	AK1316 - Replacement Head Kit			AK1317 - Microswitch Kit			AK1319 - Strainer	
<b>Max. suction lift</b>	3 m (9 ft)							
<b>Max. discharge head</b>	20m (66ft)		30m (99ft)		20m (66ft)		30m (99ft)	

\*(B) suffix indicated pumps are available as a bulk or retail item.

#### RV / Caravan Models

Product Code	FP0814 (B)		
<b>Voltage (V d.c.)</b>	12		
<b>Open Flow Rate (per min)</b>	8ltrs (2.0 GPM)		
<b>Cut Out Pressure</b>	2 bar (30psi)		
<b>Recommended Fuse Size</b>	5 Amp Automotive		
<b>Current Draw</b>	4 amps		
<b>Weight</b>	1.48 kg (3.26 lbs)		
<b>Inlet / Outlet Size</b>	Whale Quick Connect 12mm Female Connections		
<b>Hose Connections</b>	For 1/2" flexible hose use WU1282. For 3/8" flexible hose use WU1280		
<b>Semi Rigid Pipework System Connections</b>	For Whale® Quick Connect 12mm no adapter required - use 12mm semi rigid pipework WX7112		
<b>Materials in Contact with Fluid</b>	Glass-filled Polypropylene, Monprene®, Nitrile®, Stainless Steel		
<b>Service Kits</b>	AK1317 - Microswitch Kit	AK1318 - Replacement Head Kit	AK1320 - Strainer
<b>Max. Wire Size</b>	1.5mm <sup>2</sup> (16 AWG)		
<b>Max. Suction Lift</b>	3m (9 ft)		
<b>Max. Discharge Head</b>	20m (66ft)		

### 2. LIST OF CONTENTS

1. SPECIFICATION	7. WARNINGS	13. WINTERIZING
2. LIST OF CONTENTS	8. PARTS LIST	14. TROUBLE SHOOTING
3. PRINCIPLES OF OPERATION	9. OPTIONAL EXTRAS	15. SERVICE SUPPORT DETAILS
4. TO THE USER	10. INSTALLATION	16. PATENTS AND TRADEMARKS
5. TO THE FITTER	11. INSTRUCTIONS FOR USE	17. WARRANTY STATEMENT
6. APPLICATION	12. MAINTENANCE	18. EU DECLARATION OF CONFORMITY, STANDARDS AND APPROVALS

#### List of Diagrams

Fig. 1a Marine Typical Installation	Fig. 4 Connecting the Strainer
Fig. 1b RV Typical Installation	Fig. 5 Pipework Connections
Fig. 2 Pump Orientation	Fig. 6 Wiring Diagram
Fig. 3 Securing the Pump	

### 3. PRINCIPLES OF OPERATION

The Whale Watermaster is an automatic pressure pump designed for recreational vessels or vehicles. The pump integrates high specification motors and fully protected wiring to ensure reliability and a smooth consistent flow during use. Please refer to the specifications (section 1) for the model range.

### 4. TO THE USER

Please read the following carefully before installation.

**WARNING:** Please note that incorrect installation may invalidate the warranty.

### 5. TO THE FITTER

Check that the product is suitable for the intended application, follow these installation instructions and ensure all relevant personnel read the points listed below. Also ensure that these operating instructions are passed on to the end user.

### 6. APPLICATION

The Whale® Watermaster® Automatic Pressure Pump Range is designed for installation in recreational vessels or vehicles, only for saltwater or freshwater use, with 12 V d.c. or 24 V d.c. electrical supply only. If it is intended for use for any other purpose or with any other liquid, it is the user's responsibility to ensure that the pump is suitable for the intended use and, in particular, that the materials are fully compatible with the liquids to be used.

### 7. WARNINGS

1. This pump is designed for supplying water in a boat, caravan or motorhome. If it is intended for use for any other purpose it is the user's responsibility to ensure that the pump is suitable for the intended use.
2. **Not** suitable for pumping flammable liquids, diesel, chemicals etc. Only suitable for freshwater or salt water.
3. A Whale® strainer **must be** fitted on the inlet side of the pump to prevent any dirt/debris entering the pump (included with retail pumps).
4. With all applications it is important that a system of safe working practice is applied to installation, use and maintenance. Ensure the electric supply is turned off and water system is drained before installation. In order to securely fasten the unit, ensure that the mounting surface is a minimum thickness of 19mm (¾") when fitted.
5. **NOTE:** In a marine application, **do not** screw directly to the hull. Must be mounted on a bulkhead or additional board.
6. **CAUTION:** Pump **not** intended for continuous use. Maximum duty cycle < 33%
7. **WARNING:** Fire hazard. Wiring must comply with applicable electrical standards and include a properly sized fuse or circuit breaker. Improper wiring can cause a fire resulting in injury or death. Switch off the power while making connections. Suggested wiring information is given as guidance only. For full information, refer to the USCG, ABYC and ISO regulations for marine applications and wiring gauges, connectors and fuse protection.



### 8. PARTS LIST

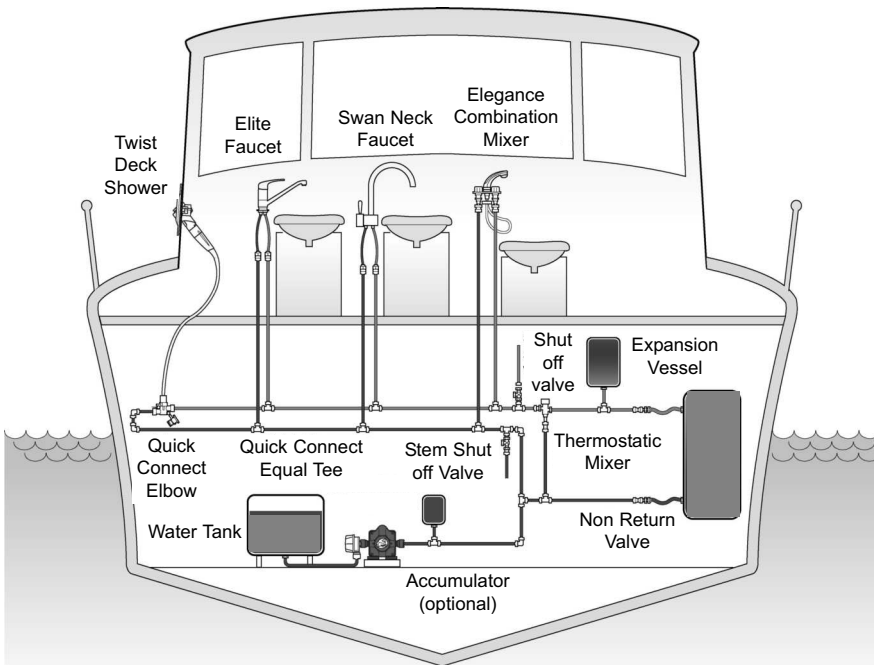
Qty 1	Whale® Watermaster® Automatic Pressure Pump	Qty 1	Screw Kit (Retail only)
Qty 1	Whale® Strainer (Retail only)	Qty 2	WX1587B - 1/2" Threaded Connectors (Retail only)
Qty 2	WX1584B - 1/2" Barbed Connectors (Retail only)		

### 9. OPTIONAL EXTRAS

AK1316	Marine Replacement Head Kit	WF1230	Whale Aquasource Clear Water Filter 12mm
AK1318	RV Replacement Head Kit	WF1530	Whale Aquasource Clear Water Filter 15mm
AK1317	Microswitch Kit		

### 10. INSTALLATION

**NOTE -** Always disconnect power sources before installing. Incorrect installation will invalidate warranty.



The Whale® Watermaster® Automatic Pressure Pump is designed for use in the following applications:

- Leisure marine vessels (fig 1a)
- RV/Caravan vehicles (fig 1b)

Fig. 1a Typical Installation in a Marine System  
(Illustration for guidance purposes only)

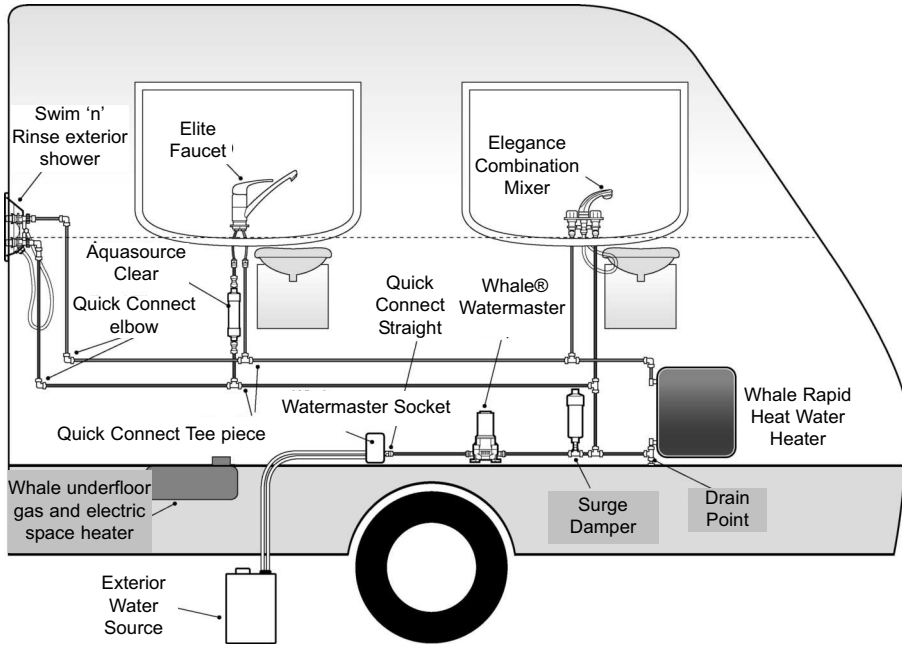


Fig. 1b Typical Installation in a RV System (Illustration for guidance purposes only)

### 10.i Mounting Instructions

- Step 1** Locate in a dry position with adequate ventilation and no more than 3m (9ft) above the water tank. In normal use, ensure the pump cannot be submerged in water.
- Step 2** Ensure pump is mounted free of obstacles and accessible for maintenance.
- Step 3** In a marine application, the pump can be mounted horizontally or vertically. In a RV/caravan application the pump **must** be mounted vertically. We recommend that the pump head is mounted below motor level (Figure 2). For advice on your specific installation, please contact Whale® support.
- Step 4** Feet positions are adjustable to allow for retrofit. Use 3 stainless steel screws and washers (supplied with retail pump) to fasten pump to solid surface and support the pump securely. See Figure 3.

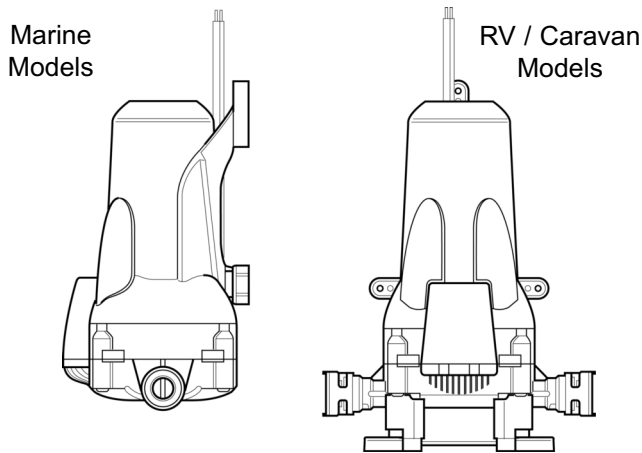


Fig 2 - Recommended Pump Mounting Orientation

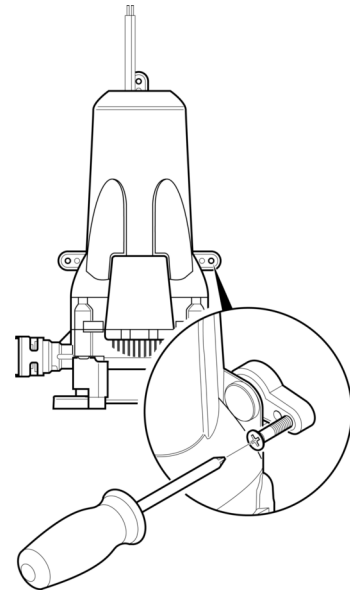


Fig 3 - Secure the Pump

### 10.ii Plumbing

- Check pump flow direction (as indicated on pump body) and ensure that a strainer (supplied with retail pump) is attached to the pump head inlet (Figure 4).
- Never use pipe sealant or sealing tapes on threaded adaptors, as these may enter the pump and cause failure.

Fig 4 - Attach Strainer to Pump Inlet

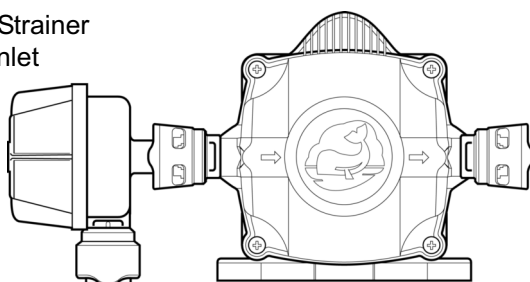
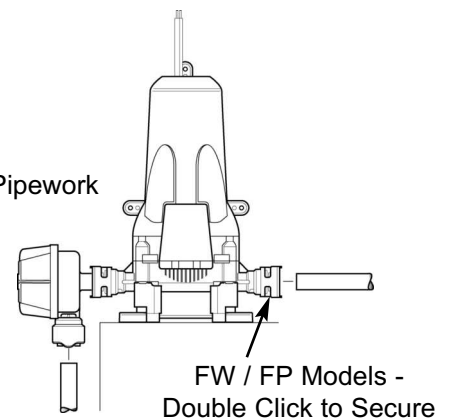


Fig 5 - Attaching Pipework



- For FW or FP models, ensure a double click into Quick Connect connections (Figure 5).
- For FT models a 1/2" male NPT threaded connection is provided for use with a female NPT allowing easy connection onto your existing pipework.
- For retail units, 1/2" threaded and barbed connectors are also provided for alternative installation. These can be easily connected into the Quick Connect head

### 10.iii Electrical Wiring

**WARNING:** Fire hazard. Wiring must comply with applicable electrical standards and include a properly rated fuse or circuit breaker (Please see specification table for fuse rating - section 1).

**WARNING:** Improper wiring can cause a fire resulting in injury or death.

**NOTE:** Switch off the power prior to making connections. Suggested wiring information is given as a guide only. For full information, refer to the USCG, ABYC and ISO regulations for marine applications and wiring gauges, connectors and fuse protection.

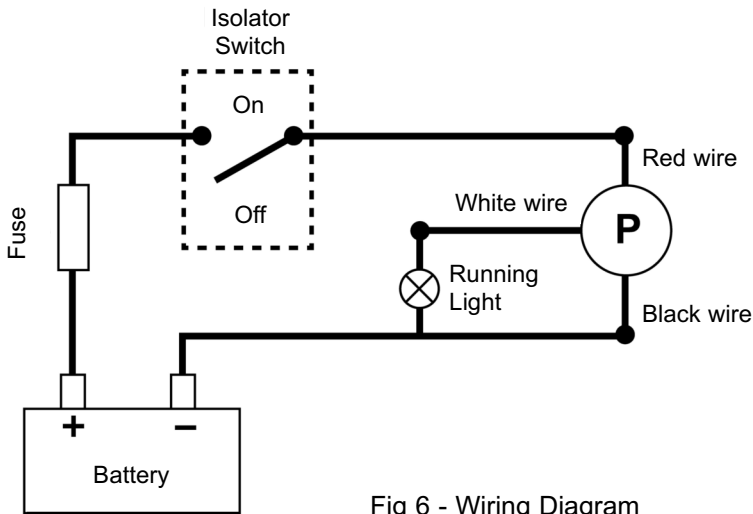


Fig 6 - Wiring Diagram

- Step 1** Use specified fuse, as indicated on motor label in the circuit.
- Step 2** Connect red wire to positive and black wire to negative
- Step 3** The white wire can be connected to a running light to indicate when in use.
- Step 4** Fit an isolating switch with adequate current rating on the positive side of the supply.
- Step 5** To prevent the pump running continuously, turn off at isolating switch when vessel / vehicle is left unattended or water supply has been allowed to empty.
- Step 6** Use water proof (IP65) connectors if the connection is below maximum bilge water level.

## 11. INSTRUCTIONS FOR USE

Ensure that pump installation is thoroughly tested before first use.

**Step 1** Install your pump following the advice above (see section 10. Installation).

**Step 2** Connect the pump to the water circuit.

**Step 3** Connect the power to the pump.

To ensure normal running of your water system, follow the checklist below:

- Remove air from the circuit (to prevent priming issues, drop of performance, noise and vibration).
- Check the priming of the pump (the strainer should be filled with water).
- Check the start and stop of the pump. This should be automatic by opening and closing a faucet/tap/shower/transom shower.

**NOTE:** Check your circuit regularly for any leaks or loose connections.

For any problems, please refer to the troubleshooting table, Section 14.

## 12. MAINTENANCE

This Whale® Watermaster® Automatic Pressure Pump is designed to only require minimal maintenance.

**WARNING:** Ensure that the pump is disconnected from electrics and system is fully drained prior to maintenance.

### For Optimal Performance

- Ensure the pump is clear of debris.
- If the pump is not operating at full capacity - disconnect electric and plumbing and check the valve arrangement inside the pump head for blockages.

### Annual Checks

- Whale® advise that the vessel / vehicle's plumbing system is checked annually for leaks and obstructions. A pump electrics check is also advisable.

## 13. WINTERIZING

If water is allowed to freeze in the system, serious damage to the pipe work and pump may occur. Failures of this type will invalidate warranty. To best avoid this damage, completely drain the water system.

1. Drain the tank either using the pump or a drain valve.
2. Open all the faucets (including drain valve) and allow pump to purge the water from the system, and then turn the pump off.
3. Disconnect the pump and turn on to purge into an adequate basin. Only reconnect the pump when water system is to be used.
4. Remember to leave all faucets including showers open to avoid any damage except for Whale Twist™ Deck Shower. For RV / caravan installations please visit [www.whalepumps.com](http://www.whalepumps.com) for details of how to drain your water system for winterizing.



## 14. TROUBLE SHOOTING

Problem	Possible Cause	Potential Solution
Pump does not run	No power to pump	Check power supply. Attach leads / clean connections
	Fuse has blown	Replace fuse
	Pump is faulty	Replace pump
	Microswitch is faulty	Check operation and replace if faulty (AK1317)
Pump runs but no water appears	No water getting to pump / Blockage in pipework	Check the water tank is not empty. Check strainer is not blocked. Check all connections from tank to inlet of pump are secure - any air leaks will prevent prime
	Pressure relief valve too low	Check water supply level and pressure relief settings are appropriate for the system
	Water leaking at outlet side of pump	Check pipework/fittings for leaks and repair. Check system drain plugs are closed
Pump runs but will not switch off	Water leaking at outlet side of pump	Check pipework/fittings for leaks and repair. Check system drain plugs are closed
	Insufficient water getting to pump	Check water supply levels
Pump cycles on and off periodically when all the taps are closed.	Water leaking at outlet side of pump	Check pipework/fittings for leaks and repair. Check system drain plugs are closed. System pressure relief valve too low (usually located at heater / calorifier)
Noisy operation	Pump drawing air	See 'no water getting to pump' (above)
	Noise created by vibration	Check pump is secured to solid surface. Check pump body is not in contact with hard surfaces. Locate away from interfering surfaces. Check pipework is securely supported
Low flow	Bore of pipework connection too small	Ensure 10mm minimum bore.
	Power supply to pump	Check power supply to pump uses correct wire gauge, in line with relevant standards, to give full voltage at pump. Check battery is not discharged
	Pipework/connections crushed due to over tightened jubilee clips	Replace damaged connections
	Pump too far from water tank	Pump is best situated beside water tank
	Water leaking at outlet side of pump	Check pipework/fittings for leaks and repair. Check system drain plugs are closed
	Pump strainer clogged	Remove clear lid, rinse and replace to main strainer body (retain strainer mesh on lid)

## 15. SERVICE SUPPORT DETAILS

**Whale (Munster Simms Engineering Ltd)**, Old Belfast Road, Bangor, N. Ireland BT19 1LT  
 Tel: +44 (0)28 9127 0531 Fax: +44 (0)28 9146 6421 Email: info@whalepumps.com

**Whale Seaward Inc**, 91 Manchester Valley Road, Manchester Center, VT 05255  
 Tel: 1 802 367 1091 Fax: 1 802 367 1095 Email: usasales@whalepumps.com

The following service kits are available for the Whale® Watermaster® Automatic Pressure Pump:  
 AK1316 - Marine Replacement Head Kit      AK1317 - Microswitch Kit      AK1318 -Replacement Head Kit RV  
 AK1319 - Replacement Strainer Marine      AK1320 - Replacement Strainer RV

## 16. PATENTS AND TRADEMARKS

Whale® and Watermaster® are registered trademarks of Munster Simms Engineering Limited trading as Whale.  
 Whale® Watermaster® Automatic Pressure Pump has the following patent pending: 1214335.0

Whale® Watermaster® is protected by the following patents:

**USA:** 6,840,745      **Canada:** 2 380 465      **UK:** GB 1 222 392      **France:** FR 1 222 392  
**Italy:** IT 1 222 392      **Germany:** DE 60018089.1(EP(DE) 1 222 392)

## 17. WARRANTY STATEMENT

This Whale® product is covered by 2 years warranty. Please see enclosed document for details of our statement of limited warranty.

## 18. EU DECLARATION OF CONFORMITY, STANDARDS & APPROVALS

We hereby declare, under our sole responsibility, that the enclosed equipment complies with the provisions of the following EC Directives.

**Electromagnetic Compatibility Directive** 2004/108/EC on the approximation of the laws of the Member States relating to electromagnetic compatibility.

**CE mark affixed:** 30/05/2012

### **Basis on which conformity is declared**

The above equipment complies with the protection requirements of the EMC Directive.

### **Standards applied**

ISO10133:2000	Extra-low voltage DC Installation
EN55014-1:2006	EMC Emissions
EN55014-2:1997+A2:2008	EMC Immunity
EN28846 :1993	Ignition Protection
ABYC-H23	Installation of Potable Water

Signed



Date: 30/05/2012  
Position: Engineering Director

# MANUEL D'INSTALLATION ET DE FONCTIONNEMENT

## Pompe à Pression Automatique Whale® Watermaster®

FR

Merci d'avoir acheté ce produit Whale. Depuis plus de 40 ans, Whale ® a ouvert la voie à la conception et la fabrication de systèmes d'eau douce et de traitement des eaux usées incluant: les pompes, la plomberie, les robinets et les douches pour les applications basse tension. L'entreprise et ses produits se sont construits une réputation grâce à la qualité, la fiabilité et l'innovation. Tout ceci passant par un excellent service client. Pour plus d'informations sur notre gamme complète de produits, visitez [www.whalepumps.com](http://www.whalepumps.com)

### 1. CARACTERISTIQUES

#### Modèles pour la marine

Code produit	FW0814(B)	FW1214(B)	FW1215(B)	FW1225(B)	FT0814B	FT1214B	FT1215B	FT1225B
Tension	12	12	12	24	12	12	12	24
Débit ouvert (litre par min)	8 ltrs	11.5 ltrs			8 ltrs	11.5 ltrs		
Indice de protection	IP65							
Taille de fusible recommandé (A)	5	7.5	7.5	5	5	7.5	7.5	5
Consommation de courant Max (A)	4	6	6	3.5	4	6	6	3.5
Taille de fusible minimum	1.5mm <sup>2</sup> (16 AWG)							
Poids	1.5 kg							
Pression d'arrêt	2 bar (30psi)		3 bar (45psi)		2 bar (30psi)		3 bar (45psi)	
Taille de l'entrée/sortie	Quick Connect Whale® 15mm vers raccords				Taraudés 1/2" NPT			
Matériaux	<b>Corps de Pompe:</b> Polypropylène chargé fibre de verre, PBT (Polybutylène Téréphylène) <b>Pied, Diaphragme &amp; Valves:</b> Monoprène®, <b>Joints:</b> Nitrile®, <b>Visserie:</b> Acier Inoxydable							
Matériaux en contact avec le fluide	Polypropylène chargé fibre de verre, Monoprène®, Nitrile®, Acier Inoxydable							
Kit d'entretien	AK1316 – Kit de remplacement de la tête de pompe			AK1317 – Kit Microswitch		AK1319 - Filtre		
Hauteur d'aspiration Max.	3 m							
Hauteur d'évacuation Max.	20m		30m		20m		30m	

\* (B) ce suffixe indique que les pompes sont disponibles en version constructeur (en lot).

#### Modèles Caravanes/Camping-Cars

Code produit	FP0814 (B)
Tension	12
Débit ouvert (litre par min)	8ltrs (2.0 GPM)
Pression d'arrêt	2 bar (30psi)
Taille de fusible recommandée(A)	5
Consommation de courant	4 amp
Poids	1.48 kg
Taille de l'entrée/sortie	Raccords femelle Whale Quick Connect 12mm
Connexions à la tuyauterie	Pour tuyau flexible 1/2" utilisez WU1282. Pour tuyau flexible 3/8" utilisez WU1280
Système de connexions pour tuyauterie semi-rigide	Aucun besoin d'adaptateur pour Whale® Quick Connect 12mm – utilisez la tuyauterie semi-rigide de 12mm WX7112
Matériaux en contact avec le fluide	Polypropylène chargé fibre de verre, Monoprène®, Nitrile®, Acier Inoxydable
Kit d'entretien	AK1317 - Kit Microswitch AK1318 - Kit de remplacement de la tête de pompe AK1320 - Filtre
Taille de fusible Max	1.5mm <sup>2</sup> (16 AWG)
Hauteur d'aspiration Max	3m (9 ft)
Hauteur d'évacuation Max	20m (66ft)

### 2. LISTE DU CONTENU

- |                                |                                                |
|--------------------------------|------------------------------------------------|
| 1. CARACTERISTIQUES            | 11. MODE D'EMPLOI                              |
| 2. TABLE DES MATIERES          | 12. ENTRAIN                                    |
| 3. PRINCIPES DE FONCTIONNEMENT | 13. HIVERNAGE                                  |
| 4. POUR L'UTILISATEUR          | 14. RESOLUTION DES PROBLEMES                   |
| 5. POUR L'INSTALLATEUR         | 15. CONTACTS SUPPORT TECHNIQUE                 |
| 6. APPLICATION                 | 16. BREVETS/MARQUES DEPOSEES                   |
| 7. MISES EN GARDE              | 17. DECLARATION DE GARANTIE                    |
| 8. LISTE DES PIECES            | 18. DECLARATION DE CONFORMITE EU, APPROBATIONS |
| 9. OPTIONS                     |                                                |
| 10. INSTALLATION               |                                                |



Fig. 1a Installation traditionnelle marine  
Fig. 1b Installation traditionnelle caravane  
Fig. 2 Orientation de la pompe

Fig. 3 Sécuriser la pompe  
Fig. 4 Connexion du filtre  
Fig. 5 Connexions tuyauterie

Fig. 6 Schéma de câblage

### 3. PRINCIPES DE FONCTIONNEMENT

La pompe Whale Watermaster est une pompe à pression automatique conçue pour les véhicules de loisirs et les embarcations. La pompe intègre un moteur de qualité au câblage entièrement protégé afin de permettre une grande fiabilité et un débit constant pendant l'utilisation. Veuillez-vous référer aux spécifications (section 1) pour chaque modèle de la gamme.

### 4. A L'UTILISATEUR

Lisez attentivement les informations suivantes.

**ATTENTION:** Merci de noter qu'une installation incorrecte peut invalider la garantie.

### 5. POUR L'INSTALLATEUR

Vérifiez que le produit est adapté pour l'utilisation voulue et suivez ces instructions d'installation. Assurez-vous que tout le personnel concerné lise les points énumérés ci-dessous. Veillez également à ce que ces instructions soient transmises à l'utilisateur final.

### 6. APPLICATIONS

La gamme de pompes à pression automatique Whale® Watermaster est conçue pour les installations dans les véhicules et embarcations de loisirs seulement, utilisation seulement avec de l'eau douce ou de l'eau salée sous 12V d.c. ou 24V d.c. Si elle est destinée à être utilisée à d'autres fins ou avec tout autre liquide, il est de la responsabilité de l'utilisateur de s'assurer que la pompe est adaptée pour l'utilisation prévue et, en particulier, que les matériaux soient entièrement compatibles avec les liquides qui vont être utilisés.

### 7. MISES EN GARDE

1. Cette pompe est conçue pour délivrer l'eau à bord d'un bateau, d'une caravane ou d'un camping-car. Si cette pompe est utilisée pour toute autre application, il est de la responsabilité de l'utilisateur de s'assurer que la pompe est appropriée à l'utilisation finale
2. **Ne convient pas** pour le pompage de liquides inflammables, de diesel, de produits chimiques. Uniquement adaptée à une utilisation avec de l'eau salée ou douce
3. Un filtre Whale® doit être installé du côté de l'entrée de la pompe afin d'éviter tout débris/saleté pouvant entrer dans la pompe (inclus avec les pompes version distributeur).
4. Pour toutes les applications, il est important qu'un système de travail sécurisé soit appliqué pendant l'installation, l'utilisation et l'entretien. S'assurer que l'alimentation électrique est coupée et que le système d'eau est vidangé avant l'installation. Afin de fixer solidement l'appareil, veiller à ce que la surface de montage ait une épaisseur minimale de 19 mm (lorsqu'elle est montée avec les vis fournies)
5. **NOTE:** Dans une application marine, **ne pas visser** directement sur la coque. Doit être montée sur une cloison ou une planche additionnelle.
6. **ATTENTION:** Pompe **non** prévue pour une utilisation continue. Cycle de fonctionnement Maximum < 33%
7. **ATTENTION:** Risque d'incendie. Le câblage doit être conforme aux normes électriques et comporter un fusible correctement calibré ou un disjoncteur. Un câblage incorrect peut provoquer des blessures ou la mort. Couper l'alimentation lorsque vous réalisez les connexions. Les informations sur le câblage suggéré sont données à titre indicatif seulement. Pour des informations complètes, reportez-vous aux normes USCG, ABYC et aux standards ISO pour les applications marines concernant les sections de câble, les connecteurs et les fusibles.



### 8. LISTE DES PIÈCES

Qty 1 Pompe à pression automatique Whale® Watermaster  
Qty 1 Filtre Whale® (version distribution seulement)  
Qty 1 Kit visserie (version distribution seulement)  
Qty 2 WX1587B – Adaptateurs raccords filetés 1/2" (version distribution seulement)  
Qty 2 WX1584B - Adaptateurs raccords cannelés 1/2" (version distribution seulement)

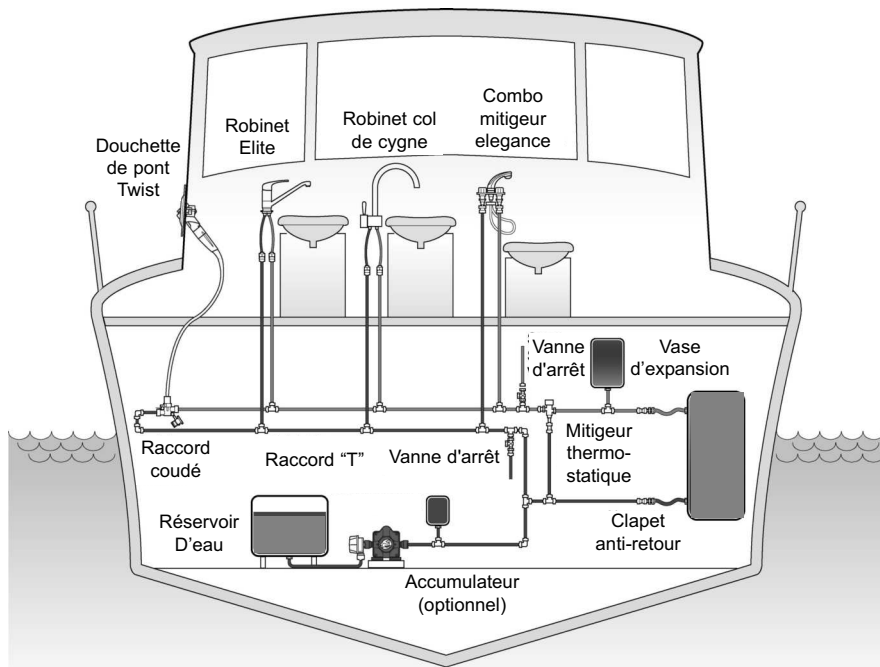
### 9. OPTIONS

AK1316	Kit de remplacement de la tête de pompe - Marine	AK1317	Kit Microswitch
AK1318	Kit de remplacement de la tête de pompe - Caravanes		
WF1530	Whale Aquasource Clear Water Filter 15mm		
WF1230	Whale Aquasource Clear Water Filter 12mm		

### 10. INSTALLATION

**NOTE:** une installation incorrecte annule la garantie

Préparation – Toujours débrancher les sources d'énergie avant l'installation.



La Watermaster® est conçue pour une utilisation dans les applications suivantes :  
 Dans la marine de plaisance (fig 1a)  
 Dans les camping-cars et caravanes (fig 1b)

Fig. 1a Installation traditionnelle dans un système marin (illustrations seulement à titre indicatif)

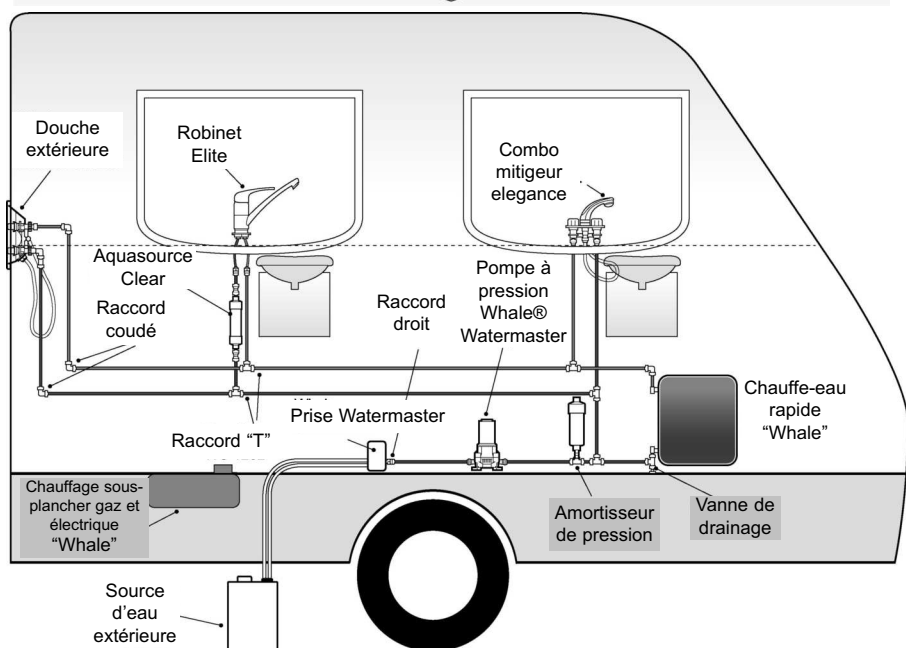


Fig. 1b Installation traditionnelle dans un système caravane (illustrations seulement à titre indicatif)

### 10.i Instructions de montage

**Etape 1** Positionner dans un endroit sec avec une ventilation adaptée et a pas plus de 3m au-dessus du réservoir d'eau. En opération normale, assurez-vous que la pompe ne peut pas être submergée.

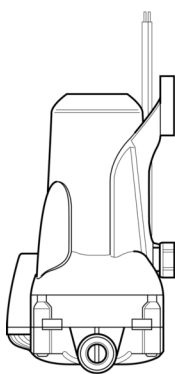
**Etape 2** Assurez-vous que la pompe est dans un endroit dégagé et accessible pour la maintenance.

**Etape 3** Dans une application marine, la pompe peut être montée horizontalement ou verticalement. Dans une application caravane/camping-car la pompe **doit** être montée verticalement. Nous recommandons que la tête de pompe soit montée sous le moteur (Figure 2). Pour des conseils spécifiques sur votre installation, contactez le support Whale®.

**Etape 4** La position des pieds est ajustable afin de permettre un remplacement facile. Utilisez 3 vis et rondelles en acier inoxydable (fourni avec la pompe) afin de sécuriser la pompe à une surface solide. Voir Figure 3.

Fig 2 - Orientation recommandée du montage de la pompe

Modèles pour la marine



Modèles Caravanes

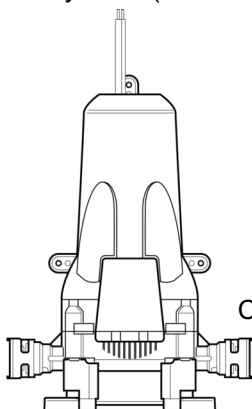
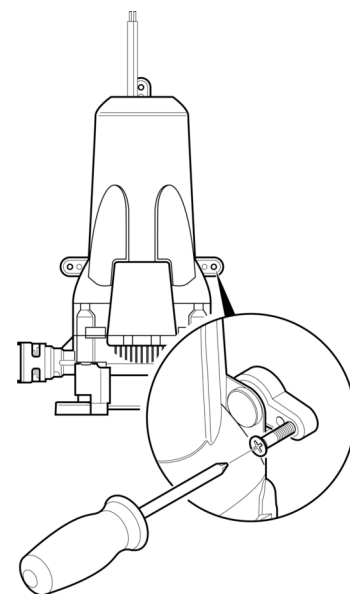


Fig 3 - Sécuriser la pompe



## 10.ii Plomberie

- Vérifiez la direction du débit (comme indiqué sur le corps de pompe) et assurez-vous qu'un filtre (fournis dans la version distributeur) est attaché à l'entrée de la pompe (Figure 4).
- Ne jamais utiliser de ruban d'étanchéité sur les adaptateurs filetés, car celui-ci pourrait entrer dans la pompe et générer une panne.

Fig 4 - Attacher le filtre à l'entrée de la pompe

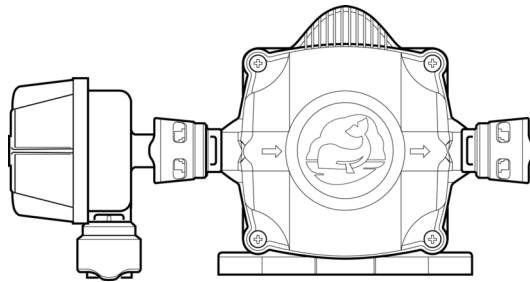
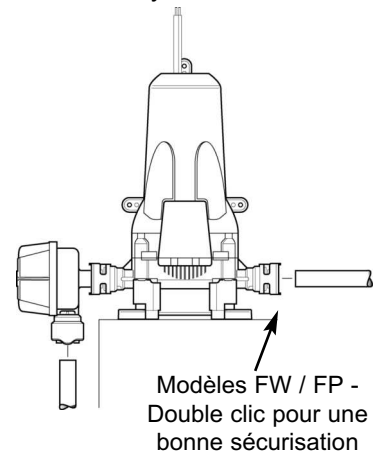


Fig 5 - Raccordement à la tuyauterie



- Pour les modèles FW ou FP, assurez-vous du double clic dans les connexions Quick Connect (Figure 5).
- Pour les modèles FT les connecteurs 1/2" NPT mâles sont fournis pour une utilisation avec les raccords femelles NPT afin de permettre une connexion facile à votre tuyauterie
- Pour les versions distributions, les connecteurs 1/2" filetés et cannelés sont aussi fournis pour d'autres options d'installation. Ces connecteurs peuvent être facilement connectés sur la tête Quick Connect.

## 10.iii Câblage électrique



**ATTENTION:** Risque d'incendie. Le câblage doit être conforme aux normes électriques et comporter un fusible correctement calibré ou un disjoncteur (Veuillez-vous référer au tableau de spécification pour la taille des fusibles - section 1).

**ATTENTION:** Un câblage incorrect peut provoquer des blessures ou la mort.

**NOTE:** Couper l'alimentation lorsque vous réalisez les connexions. Les informations sur le câblage suggéré sont données à titre indicatif seulement. Pour des informations complètes, aux normes USCG, ABYC et aux standards ISO pour les applications marines concernant les sections de câble, les connecteurs et les fusibles.

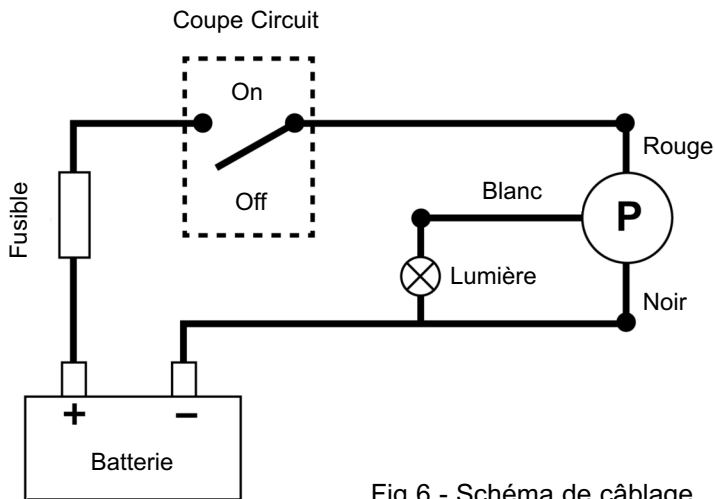


Fig 6 - Schéma de câblage

- Etape 1** Utilisez un fusible à la bonne taille, comme indiqué sur l'étiquette du moteur.
- Etape 2** Connectez le fil rouge au positif et le noir au négatif
- Etape 3** Le fil blanc peut être connecté à un voyant de fonctionnement afin d'indiquer lorsqu'elle est utilisée.
- Etape 4** Installer un coupe-circuit du bon calibre du côté positif.
- Etape 5** Afin d'éviter que la pompe ne fonctionne en continu tourner le coupe circuit sur off quand le bateau/véhicule est laissé sans présence ou que le réservoir se vidange.
- Etape 6** Utiliser des connecteurs étanches (IP65) si les connexions sont situées sous le niveau maximum d'eau de cale

## 11. MODE D'EMPLOI

Assurez-vous que la pompe est testée avant sa première utilisation.

**Etape 1** Installez votre pompe en suivant les conseils ci-dessus (voir section 10. Installation).

**Etape 2** Connecter la pompe au circuit de distribution d'eau douce.

**Etape 3** Connecter la puissance à la pompe

Afin de vérifier le fonctionnement normal de votre système de distribution d'eau, veuillez suivre les points ci-dessous:

- Retirer l'air du système (afin d'éviter les problèmes d'amorçage, les baisses de performance, le bruit et les vibrations).
- Vérifier l'amorçage de la pompe (le filtre devrait être rempli d'eau).
- Vérifier le démarrage et l'arrêt de la pompe. Ceci devrait être automatique lors de l'ouverture et la fermeture de robinet/mitigeur/douche/douchette.

**NOTE:** Vérifiez votre circuit régulièrement afin de détecter toute fuite ou mauvaise connexion. Pour tout problème, veuillez vous référer au tableau des diagnostics, section 14.

## 12. ENTRETIEN

Cette pompe à pression automatique Whale® Watermaster est conçue pour ne nécessiter qu'un entretien minimal.  
**ATTENTION:** Avant d'intervenir sur la pompe, arrêter la pompe et évacuer l'eau du système.

### Performance optimale

- Assurez vous que le produit ne contient aucun débris.
- Si la pompe ne fonctionne pas à pleine capacité – déconnectez la partie électrique et la plomberie et vérifiez les valves à l'intérieur de la pompe pour tout colmatage/blocage.

### Contrôles annuels

- Whale@informe que le système de plomberie du bateau est à vérifier annuellement pour contrôler les fuites et les obstructions. Un contrôle de la pompe électrique est également conseillé.

## 13. HIVERAGE

Si l'eau gèle dans le système d'eau, de sérieux dommages peuvent être causés dans votre pompe et votre tuyauterie. Des dommages de ce type invalideront la garantie. Afin d'éviter au mieux ces dommages, drainez entièrement votre système d'eau.

1. Drainez le réservoir soit en utilisant la pompe ou une vanne de drainage.
2. Ouvrez tous les robinets (y compris la vanne de drainage) et permettez à la pompe de retirer l'eau du système et puis éteignez la pompe.
3. Déconnectez la pompe et activez-la afin de la purger dans une baignoire ou un récipient adéquat. Reconnectez la pompe seulement lorsque le système d'eau doit être remis en fonctionnement.
4. Rappelez-vous de laisser tous les robinets de douches ouverts pour éviter tout dommage à l'exception des douches de pont Twist™ Whale. Pour les installations caravanes/camping-cars, veuillez visiter [www.whalepumps.com](http://www.whalepumps.com) pour les détails sur comment drainer votre système d'eau pour l'hivernage



## 14. RESOLUTION DES PROBLEMES

PROBLEMES	CAUSES POSSIBLES	SOLUTION POTENTIELLE
La pompe ne fonctionne pas	La pompe n'est pas alimentée	Vérifiez l'alimentation. Raccordez les fils et nettoyez les connexions
	Le fusible est grillé	Remplacez le fusible
	La pompe est défectueuse	Remplacez la pompe
	Le pressostat (Microswitch) est défectueux	Vérifier le fonctionnement et remplacer si nécessaire (AK1317)
La pompe fonctionne mais l'eau ne vient pas	L'eau n'arrive pas à la pompe / Blocage dans la tuyauterie	Vérifiez que le réservoir d'eau n'est pas vide. Vérifiez que la crépine n'est pas bouchée. Vérifiez que toutes les connexions à partir du réservoir jusqu'à l'entrée de la pompe sont bonnes pour éviter les fuites d'air.
	La soupape de sécurité est réglée trop bas	Vérifier le niveau d'alimentation en eau et que la soupape de sécurité du système soit adaptée à votre circuit
	Fuite d'eau à la sortie de la pompe	Vérifiez la tuyauterie / raccords pour voir les fuites puis réparez. Vérifier que les vannes de drainage du système sont fermées
La pompe fonctionne mais ne s'éteint pas	Fuite d'eau à la sortie de la pompe	Vérifiez la tuyauterie / raccords pour voir les fuites puis réparez. Vérifier que les vannes de drainage du système sont fermées
	Trop peu d'eau va à la pompe	Vérifiez les niveaux d'eau
Le cycle de la pompe s'allume et s'éteint régulièrement quand tous les robinets sont fermés	Fuite d'eau à la sortie de la pompe	Vérifiez la tuyauterie / raccords pour voir les fuites puis réparez. Vérifier que les prises de vidange du système sont fermées. Soupape de sécurité trop basse (habituellement située sur le chauffe-eau).
Fonctionnement bruyant	Prise d'air dans la pompe	Voir 'L'eau n'arrive pas à la pompe' (ci dessus)
	Le bruit est créé par des vibrations	Vérifiez que la pompe est fixée sur une surface solide. Vérifiez que le corps de la pompe n'est pas en contact avec des surfaces dures. Localiser les surfaces qui font interférences. Vérifier que la tuyauterie est bien maintenue.
Débit faible	Diamètre de connexion des tuyaux trop faible	Minimum 10mm de diamètre.
	Alimentation de la pompe	Vérifier que le circuit de puissance de la pompe utilise la bonne section de câble, en accord avec les différents standards, afin de donner la tension correcte à la pompe. Vérifiez que les batteries ne soient pas déchargées.
	Tuyauterie / connexions écrasées en raison de colliers trop serrés	Remplacez les raccords ou les tuyaux endommagés
	Pompe trop éloignée du réservoir d'eau ou de la source d'eau	La pompe est mieux située à côté du réservoir d'eau ou de la vanne de coque
	Fuite d'eau à la sortie de la pompe	Vérifiez la tuyauterie / raccords pour voir les fuites puis réparez. Vérifier que les vannes de drainage du système sont fermées
	Crépine de la pompe bouchée	Retirer le couvercle transparent, rincer et replacer sur le corps du filtre (conserver la maille sur le couvercle du filtre)

## 15. CONTACTS SUPPORT TECHNIQUE

Contactez le service client de Whale® pour des conseils techniques supplémentaires

**Whale (Munster Simms Engineering Ltd)**, Old Belfast Road, Bangor, N. Ireland BT19 1LT  
Tel: +44 (0)28 9127 0531 Fax: +44 (0)28 9146 6421 Email: info@whalepumps.com

**Whale Seaward Inc**, 91 Manchester Valley Road, Manchester Center, VT 05255  
Tel: 1 802 367 1091 Fax: 1 802 367 1095 Email: usasales@whalepumps.com

Les kits d'entretien suivant sont disponibles pour la pompe à pression automatique Whale® Watermaster:

AK1316 - Kit de remplacement de la tête de pompe pour la marine

AK1317 - Kit Microswitch

AK1318 - Kit de remplacement de la tête de pompe pour caravane

AK1319 - Kit de remplacement du filtre pour la marine

AK1320 - Kit de remplacement du filtre pour caravane

## 16. BREVETS / MARQUES DEPOSEES

Whale® et Watermaster® sont des marques de Munster Simms Engineering Limited commercialisant sous le nom de Whale. La pompe à pression automatique Whale® Watermaster® a le brevet suivant: 1214335.0

La pompe Whale® Watermaster® est protégée par le brevet suivant:

**USA:** 6,840,745 **Canada:** 2 380 465 **Royaume-Uni:** GB 1 222 392 **France:** FR 1 222 392

**Italie:** IT 1 222 392 **Allemagne:** DE 60018089.1(EP(DE) 1 222 392)

## 17. DECLARATION DE GARANTIE

Ce produit Whale® est couvert par une garantie de 2 ans – Merci de lire ce document ci-joint pour avoir plus de détails sur nos conditions de garantie limitée.

## 18. DECLARATION DE CONFORMITE, STANDARDS, CERTIFICATIONS

Ce produit est conforme à toutes les directives et normes européennes. Merci de contacter Whale ® si des précisions sont nécessaires

**Directive sur la compatibilité électromagnétique 2004/108/EC** concernant le rapprochement des législations des États membres relatives à la compatibilité électromagnétique..

**Marque déposé CE:** 30/05/2012

### Fondement sur lequel la conformité est déclarée

Le matériel ci-dessus est conforme aux exigences de sécurité de la directive CEM.

### Normes appliquées

ISO10133:2000

Installation basse tension D.C

EN55014-1:2006

EMC (Comptabilité Electromagnétique) Emissions

EN55014-2:1997+A2:2008

EMC Immunité

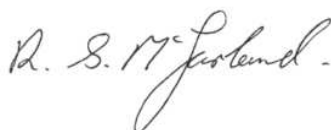
EN28846 :1993

Protection contre l'allumage

ABYC-H23

Installation pour l'eau potable

Signature



Date: 30/05/2012

Poste:Le responsable de l'ingénierie

Vielen Dank, dass Sie sich für dieses Produkt von Whale® entschieden haben. Seit mehr als 40 Jahren ist Whale® führend in der Entwicklung und Herstellung von Frisch- und Abwassersystemen einschließlich Pumpen, Wasserleitungen, Wasserhähne und Duschen für Niederspannungsanlagen. Das Unternehmen und seine Produkte sind zu einem Markenzeichen für Qualität, Zuverlässigkeit und Innovation geworden, die auf eine hervorragende Kundenbetreuung aufbauen. Angaben zu unserer vollständigen Produktpalette finden Sie unter [www.whalepumps.com](http://www.whalepumps.com).

### 1. TECHNISCHE SPEZIFIKATIONEN

#### Modelle für Boote

Produktcode	FW0814(B)	FW1214(B)	FW1215(B)	FW1225(B)	FT0814B	FT1214B	FT1215B	FT1225B
Spannung (V Gleichstrom)	12	12	12	24	12	12	12	24
Offene Durchflussrate (pro Min)	8 ltrs	11.5 ltrs			8 ltrs	11.5 ltrs		
Schutzart	IP65							
Empfohlene Sicherungsgröße (Amp Automotive)	5	7.5	7.5	5	5	7.5	7.5	5
Max. Stromaufnahme (Ampere)	4	6	6	3.5	4	6	6	3.5
Minimale Kabelgröße	1.5mm <sup>2</sup> (16 AWG)							
Gewicht	1.5 kg							
Abschaltdruck	2 bar (30psi)		3 bar (45psi)		2 bar (30psi)		3 bar (45psi)	
Einlass-/Auslassgröße	Whale®-Schnellanschlüsse, 15 mm, weiblich				1/2" mit Gewinde (NPT)			
Materialien	<b>Pumpengehäuse:</b> Glasfaserverstärktes Polypropylen, PBT (Polybutylen-Terephthalat) Standfüße, <b>Trennwand und Ventile:</b> Monoprene®, <b>Dichtungen:</b> Nitrile®, <b>Feststeller:</b> Edelstahl							
Materialien in Kontakt mit Flüssigkeit	Glasfaserverstärktes Polypropylen, Monoprene®, Nitrile®, Edelstahl							
Wartungsset	AK1316 - Ersatz-Pumpenkopf-Wartungsset			AK1317 - Mikroschalter-Set		AK1319 - Filter		
Max. Ansaughöhe	3 m							
Max. Förderhöhe	20m		30m		20m		30m	

\* (B) Suffix angegebenen Pumpen sind als Schüttgut oder Einzelhandel ausgewiesen werden.

#### Modelle für Wohnmobile/Wohnwagen

Produktcode	FP0814 (B)
Spannung	12 V Gleichstrom
Offene Durchflussrate (pro Minute)	8ltrs (2.0 GPM)
Abschaltdruck	2 bar (30psi)
Empfohlene Sicherungsgröße	5 Amp Automotive
Max. Stromaufnahme	4 ampere
Gewicht	1.48 kg
Einlass-/Auslassgröße	Whale-Schnellanschlüsse, 12 mm, weiblich
Schlauchanschlüsse	Für Whale® 1/2"-Schnellanschluss - WU1282. Für Whale® 3/8"-Schnellanschluss - WU1280
Halbstarre Leitungssystemanschlüsse	Für Whale®-12-mm-Schnellanschluss kein Adapter erforderlich - Anschlüsse für halbstarres 12-mm-Rohr WX7112
Materialien in Kontakt mit Flüssigkeit	Glasfaserverstärktes Polypropylen, Monoprene®, Nitrile®, Edelstahl
Wartungsset	AK1317 - Mikroschalter-Set AK1318 - Ersatz-Pumpenkopf-Wartungsset AK1320 - Filter
Max. Kabeldurchmesser	1.5mm <sup>2</sup> (16 AWG)
Max. Ansaughöhe	3m
Max. Förderhöhe	20m

### 2. INHALT UND GRAFIKEN

- |                                 |                                                      |
|---------------------------------|------------------------------------------------------|
| 1. TECHNISCHE SPEZIFIKATIONEN   | 10. MONTAGE                                          |
| 2. INHALT UND GRAFIKEN          | 11. GEBRAUCHSANWEISUNG                               |
| 3. BETRIEBSRICHTLINIEN          | 12. WARTUNG                                          |
| 4. HINWEISE FÜR DEN VERBRAUCHER | 13. FEHLERBEHEBUNG                                   |
| 5. HINWEISE FÜR DEN MONTEUR     | 14. EINWINTERUNG                                     |
| 6. ANWENDUNG                    | 15. ANGABEN ZU SERVICELEISTUNGEN                     |
| 7. WARNHINWEISE                 | 16. PATENTE UND HANDELSMARKEN                        |
| 8. STÜCKLISTE                   | 17. GARANTIEERKLÄRUNG                                |
| 9. OPTIONALES ZUBEHÖR           | 18. EU-KONFORMITÄTSERKLÄRUNG, NORMEN UND ZULASSUNGEN |

### 3. BETRIEBSRICHTLINIEN

Die Whale-Watermaster-Pumpe ist eine automatische Druckpumpe und für die Verwendung in Freizeit-Wasserfahrzeugen oder Wohnmobilen bestimmt. Die Pumpe ist mit hochleistungsfähigen Motoren ausgestattet und verfügt über eine umfassend geschützte Verdrahtung, wodurch eine hohe Zuverlässigkeit und ein gleichmäßiger Durchfluss während des Betriebs sichergestellt werden. Weitere Informationen zu dieser Modellreihe finden Sie in den Spezifikationen (Abschnitt 1).

### 4. HINWEISE FÜR DEN VERBRAUCHER

Bitte lesen Sie die folgenden Informationen sorgfältig durch, bevor Sie das Gerät montieren

**WARNUNG:** Bitte beachten Sie, dass durch eine falsche Montage die Garantie erlöschen kann.

### 5. HINWEISE FÜR DEN MONTEUR

Vergewissern Sie sich, dass das Produkt für den vorgesehenen Einsatz geeignet ist, befolgen Sie diese Montageanleitung und veranlassen Sie, dass alle notwendigen Mitarbeiter die unten aufgeführten Punkte durchlesen. Stellen Sie des Weiteren sicher, dass der Endverbraucher diese Betriebsanleitung erhält.

### 6. ANWENDUNG

Die automatischen Druckpumpen der Whale®-Watermaster®-Produktreihe sind für die Installation in Freizeit-Wasserfahrzeugen oder Wohnmobilen gedacht und für die Verwendung mit Salz- oder Süßwasser und den Anschluss an eine Stromversorgung mit 12 V DC oder 24 V DC geeignet. Wenn die Pumpe zu einem anderen Zweck oder mit einer anderen Flüssigkeit verwendet werden soll, obliegt es dem Verantwortungsbereich des Verbrauchers, sicherzustellen, dass die Pumpe für die geplante Verwendung geeignet ist und insbesondere, dass die Materialien mit der verwendeten Flüssigkeit vollständig kompatibel sind.

### 7. WARNHINWEISE

1. Diese Pumpe kann für die Wasserversorgung auf einem Boot, in einem Wohnwagen oder einem Wohnmobil eingesetzt werden. Sollte sie für andere Zwecke verwendet werden, so ist der Anwender dazu verpflichtet, zu überprüfen, ob die Pumpe für die vorgesehene Verwendung geeignet ist.
2. **Nicht geeignet** zum Pumpen von brennbaren Flüssigkeiten, Diesel, Chemikalien, usw.  
Nur für Süßwasser oder Salzwasser geeignet.
3. Ein Whale®-Filter **muss** auf der Einlassseite der Pumpe montiert werden, um zu verhindern, dass Schmutz und Ablagerungen in die Pumpe gelangen (im Lieferumfang der Pumpen enthalten).
4. Bei allen Anlagen ist es wichtig, dass sichere Arbeitsbedingungen gewährleistet sind bei Montage, Gebrauch und Wartung. Stellen Sie sicher, dass die Stromversorgung vor der Montage ausgeschaltet und das Abwassersystem entwässert ist. Um die Anlage sicher zu befestigen, stellen Sie sicher, dass die Montageunterlage eine Dicke von mindestens 19mm hat (bei Befestigung mit den mitgelieferten Schrauben).
5. **HINWEIS:** Schrauben Sie die Pumpe bei der Installation auf Booten nicht direkt auf den Bootsrumph. Die Pumpe ist an einem Schott oder einer zusätzlichen Wand zu befestigen.
6. **ACHTUNG:** Die Pumpe ist **nicht** auf einen Dauerbetrieb ausgelegt. Maximale Einschaltdauer < 33 %
7. **ACHTUNG:** Brandgefahr. Die Verkabelung muss die geltenden elektrischen Normen erfüllen und eine ordnungsgemäß eingesetzte Sicherung oder einen Schutzschalter haben. Eine unsachgemäße Verkabelung kann dazu führen, dass ein Brand verursacht wird, der Verletzungen oder den Tod zur Folge hat. Schalten Sie die Stromversorgung ab, bevor Sie Kabel verbinden. Empfehlungen zur Verkabelung dienen lediglich als Orientierungshilfe. Umfassende Angaben entnehmen Sie bitte den Verordnungen der USCG und des ABYC sowie den ISO-Normen hinsichtlich der Marineanwendungen, Kabeldicke und Sicherungen.



### 8. STÜCKLISTE

Menge 1	Whale-Watermaster-Pumpe
Menge 1	Whale®-Filter (nur Einzelhandelsversion)
Menge 1	Schrauben-Set (nur Einzelhandelsversion)
Menge 2	WX1587B – 1/2"-Anschlüsse mit Gewinde (nur Einzelhandelsversion)
Menge 2	WX1584B - 1/2"-Stecknippel (nur Einzelhandelsversion)

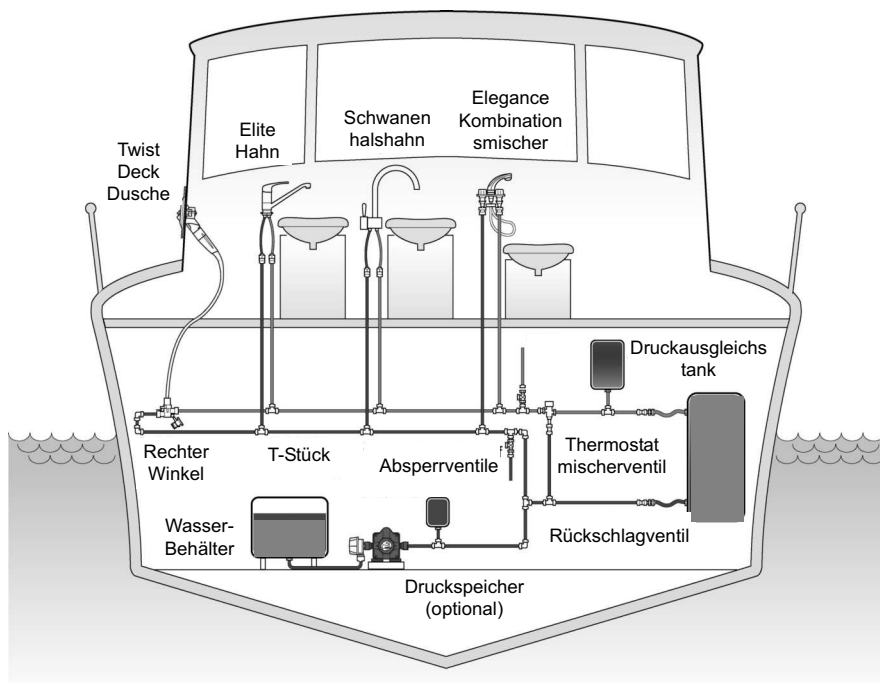
### 9. OPTIONALES ZUBEHÖR

AK1316	Ersatz-Pumpenkopf-Wartungsset - für Boote	AK1317	Mikroschalter-Set
AK1318	Ersatz-Pumpenkopf-Wartungsset - für Wohnmobile/Wohnwagen		
WF1530	Whale Aquasource Clear Water Filter 15mm		
WF1230	Whale Aquasource Clear Water Filter 12mm		

### 10. MONTAGE

**ANMERKUNG:** Fehlerhafte Montage setzt die Garantie außer Kraft

Vorbereitung – Schalten Sie vor dem Installieren immer die Stromquellen aus.



Die Watermaster®-Pumpe ist für die Verwendung in folgende Anwendungsbereiche:  
 In Freizeit-Wasserfahrzeugen (Abb. 1a)  
 In Wohnmobilen/Wohnwagen (Abb. 1b)

Abb. 1a: Typische Installation auf einem Wasserfahrzeug (Abbildung dient nur Referenzzwecken)

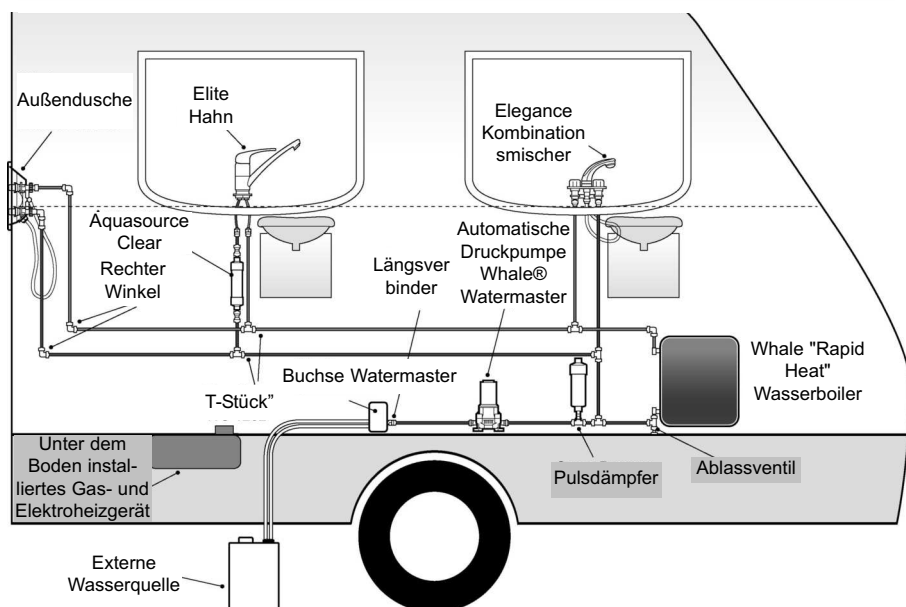


Abb. 1b: Typische Installation auf einem Wohnmobile/Wohnwagen (Abbildung dient nur Referenzzwecken)

## 10.i Montageanleitung

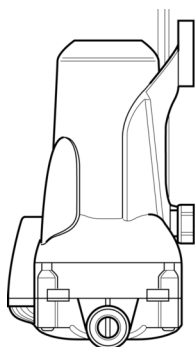
**Schritt 1** Positionierung an einer trockenen Stelle mit ausreichender Belüftung und nicht mehr als 3 m (9 ft) Freiraum über dem Wassertank. Stellen Sie sicher, dass die Pumpe während des normalen Betriebs nicht unter Wasser getaucht werden kann.

**Schritt 2** Stellen Sie sicher, dass die Pumpe frei von Hindernissen und für die Wartung zugänglich montiert wird.

**Schritt 3** Bei einer Installation auf Booten kann die Pumpe sowohl horizontal als auch vertikal montiert werden. Bei einer Installation in Wohnmobilen/Wohnwagen muss die Pumpe vertikal montiert werden. Wir empfehlen, den Pumpenkopf auf Höhe unterhalb des Motors zu montieren (Abbildung 2). Bei Fragen zu Ihrer spezifischen Installation wenden Sie sich bitte an den Whale®-Kundenservice.

**Schritt 4** Die Positionen der Standfüße können angepasst werden, um Nachrüstungen zu ermöglichen. Verwenden Sie 3 Schrauben und Unterlegscheiben aus Edelstahl (mit Pumpe geliefert), um die Pumpe auf einer stabilen Oberfläche zu befestigen, und sorgen Sie für eine sichere Abstützung der Pumpe. Siehe Abbildung.

Modelle für Boote



Modelle für Wohnmobile

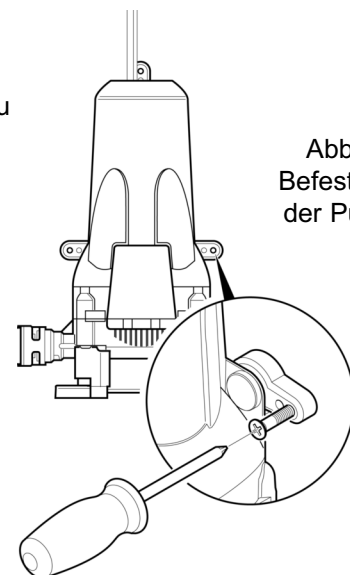
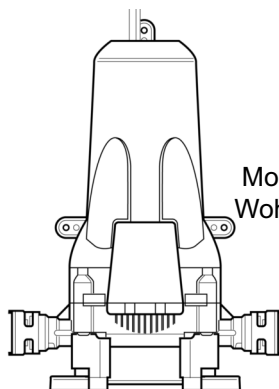


Abb. 3: Befestigung der Pumpe

Abb. 2 - Empfohlene Pumpeninstallationsausrichtung



## 10.ii Schlauchanschluss

- Überprüfen Sie die Pumpendurchflussrichtung (auf dem Pumpengehäuse angegeben) und stellen Sie sicher, dass ein Filter (mit Pumpe geliefert) am Einlass des Pumpenkopfs angebracht wird (Abbildung 4).
- Verwenden Sie keine Rohrdichtungsmasse oder Dichtungsband für Adapter mit Gewinde, da das Dichtungsmaterial in die Pumpe eindringen und Störungen verursachen kann.

Abb. 4: Anbringen des Filters am Pumpeneinlass

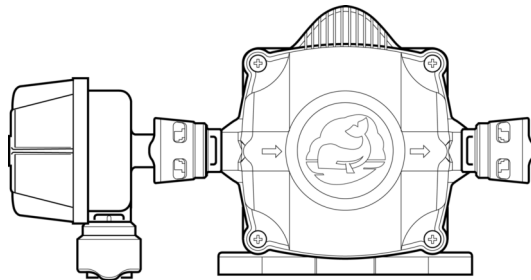
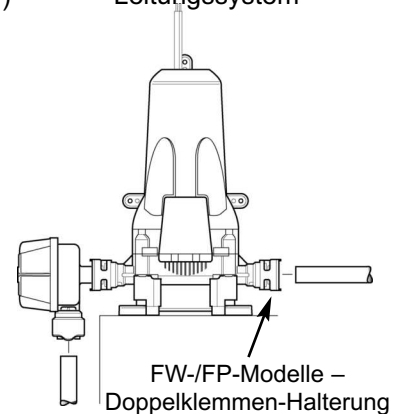


Abb. 5: Anschluss an das Leitungssystem



- Stellen Sie bei FW- oder FP-Modellen sicher, dass die Schnellanschlüsse über die Doppelklemmen-Halterung befestigt sind (Abbildung 5).
- Bei FT-Modellen ist ein männlicher 1/2"-NPT-Anschluss mit Gewinde für die Verwendung mit einem weiblichen NPT-Anschluss vorgesehen, um einen einfachen Anschluss an Ihr bestehendes Leitungssystem zu ermöglichen.
- Bei den im Einzelhandel erhältlichen Einheiten stehen 1/2"-Anschlüsse mit Gewinde und Stecknippeln für alternative Installationen zur Verfügung. Diese können problemlos an das Schnellanschluss-Kopfteil angeschlossen werden.

## 10.iii Elektrische Verkabelung



**WARNING:** Brandgefahr. Die Verkabelung muss die geltenden elektrischen Normen erfüllen und eine ordnungsgemäß eingesetzte Sicherung oder einen Leistungsschutzschalter haben. (Informationen zur Sicherungsleistung finden Sie in der Spezifikationstabelle – Abschnitt 1.)

**WARNING:** Eine unsachgemäße Verkabelung kann einen Brand verursachen der zu Verletzungen oder zum Tode führen kann..

**HINWEIS:** Schalten Sie die Stromversorgung ab, bevor Sie Kabel verbinden. Empfehlungen zur Verkabelung dienen lediglich als Orientierungshilfe. Umfassende Angaben entnehmen Sie bitte den Verordnungen der USCG und des ABYC sowie den ISO-Normen hinsichtlich der Marineanwendungen, Kabeldicke, Stecker und Sicherungen.

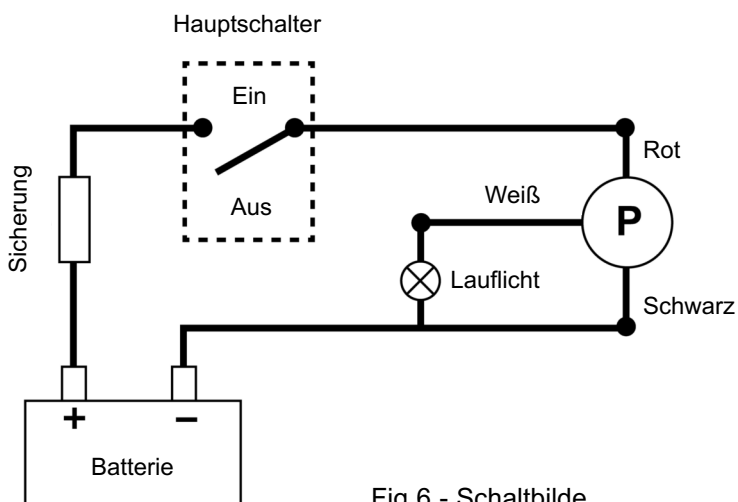


Fig 6 - Schaltbilde

- Schritt 1** Verwenden Sie die auf dem Motortypenschild angegebene Sicherung.
- Schritt 2** Verbinden Sie den roten Draht mit dem positiven Anschluss und den schwarzen Draht mit dem negativen Anschluss.
- Schritt 3** Der weiße Draht kann an eine Betriebsleuchte angeschlossen werden, um den laufenden Betrieb anzuzeigen.
- Schritt 4** Schließen Sie einen Trennschutzschalter mit angemessenem Nennstrombereich auf der positiven Seite der Stromversorgung an.
- Schritt 5** Um den Dauerbetrieb der Pumpe zu verhindern, schalten Sie diese über den Trennschutzschalter aus, wenn das Boot unbeaufsichtigt ist oder die Entleerung der Wasserversorgung aktiviert wurde.
- Schritt 6** Verwenden Sie wasserfeste Steckverbinder (IP65), wenn der Anschluss unterhalb des maximalen Bilgewaterstands liegt.

## 11. GEBRAUCHSANWEISUNG

Vergewissern Sie sich, dass die Pumpeninstallation vor der ersten Verwendung gründlich getestet wird.

**Schritt 1** Installieren Sie die Pumpe, indem Sie die obenstehenden Anweisungen befolgen (siehe Abschnitt 10: Installation).

**Schritt 2** Schließen Sie die Pumpe an den Wasserkreislauf an.

**Schritt 3** Schließen Sie die Pumpe an die Stromversorgung an

Um den normalen Betrieb Ihrer Wasseranlage sicherzustellen, gehen Sie die folgende Checkliste durch:

- Entfernen Sie die Luft auf dem Kreislauf (zur Verhinderung von Ansaugproblemen, Leistungsabfällen, Lärmentwicklung und Vibrationen)
- Überprüfen Sie die Ansaugfunktion der Pumpe (der Filter sollte mit Wasser gefüllt sein).
- Überprüfen Sie den Ein- und Ausschaltvorgang der Pumpe. Dieser sollte automatisch durch das Öffnen und Schließen eines/-r Auslaufventils/Wasserhahns/Dusche/Transom-Dusche aktiviert werden.

**HINWEIS:** Überprüfen Sie den Kreislauf regelmäßig auf undichte Stellen oder lose Verbindungen. Informationen zu eventuell auftretenden Problemen entnehmen Sie bitte der Fehlerbehebungstabelle in Abschnitt 14.

## 12. WARTUNG

Die "Whale® Watermaster" ist für minimale Wartungsarbeiten ausgelegt.

**WARNUNG:** Schalten Sie die Pumpe vor der Wartung aus und entwässern Sie das System

### Für eine optimale Leistung

- Stellen Sie sicher, dass sich in diesem Produkt keine Ablagerungen befinden..
- Wenn die Pumpe nicht mit voller Leistung arbeitet, trennen Sie alle elektrischen Anschlüsse und Rohrleitungen und überprüfen Sie die Ventile im Inneren des Pumpenkopfs auf Verstopfungen..

### Jährliche Überprüfungen

- Whale® empfiehlt eine jährliche Überprüfung der Schläuche und Anschlüsse im Wasserfahrzeug auf undichte Stellen und Verstopfungen. Eine Überprüfung der in der Pumpe befindlichen Elektronik ist ebenfalls empfehlenswert..

## 13. FEHLERBEHEBUNG

Problem	MÖGLICHE GRÜNDE	MÖGLICHE LÖSUNG
Pumpe funktioniert nicht	Pumpe hat keine Stromversorgung	Überprüfen Sie die Stromversorgung. Ziehen Sie die Leitungen fest. / Reinigen Sie die Anschlüsse.
	Sicherung ist durchgebrannt	Tauschen Sie die Sicherung aus
	Pumpe ist defekt	Pumpe ersetzen
	Mikroschalter ist defekt	Auf Funktionsfähigkeit überprüfen und bei vorliegendem Defekt ersetzen (AK1317)
Pumpe funktioniert, aber es kommt kein Wasser heraus	Pumpe wird nicht mit Wasser versorgt / Verstopfung in Leitungssystem	Überprüfen Sie, ob der Wasserbehälter leer ist und ob der Filter verstopft ist und ob die vorhandene Wasserversorgung und die Druckbegrenzungseinstellungen für das System geeignet sind
	Druck in Druckbegrenzungsventil zu niedrig	Überprüfen Sie den Stand der Wasserversorgung und die Einstellungen der Druckbegrenzung.
	An der Druckstutze der Pumpe tritt Wasser aus	Überprüfen Sie die Wasserleitungen / Montagen auf undichte Stellen. Überprüfen Sie, ob die Ablassstopfen im System verschlossen sind.
Pumpe funktioniert, aber lässt sich nicht abschalten	An der Druckstutze der Pumpe tritt Wasser aus	Überprüfen Sie die Wasserleitungen / Montagen auf undichte Stellen. Überprüfen Sie, ob die Ablassstopfen im System verschlossen sind.
	Es gelangt zu wenig Wasser zur Pumpe	Überprüfen Sie die Füllstände der Wasserversorgung
Pumpenkreisläufe zeitweise an und aus, wenn alle Hähne zuge dreht.	An der Druckstutze der Pumpe tritt Wasser aus	Überprüfen Sie die Wasserleitungen / Montagen auf undichte Stellen. Überprüfen Sie, ob die Ablassstopfen im System verschlossen sind. Leistung des Systemdruckbegrenzungsventils (befindet sich normalerweise am Heizgerät oder an der Chlorvorrichtung) ist zu schwach
Lärmintensiver Betrieb	Pumpe saugt Luft an	Die Pumpe wird nicht mit Wasser versorgt (oberhalb).
	Lärm wird durch Vibration verursacht	Prüfen ob die Pumpe korrekt befestigt ist und dass das Pumpengehäuse keine harten Oberflächen berührt. Stellen Sie die Pumpe abseits der störenden Oberflächen auf. Überprüfen Sie, ob die Wasserleitungen sicher befestigt sind
Niedrige Durchflussgeschwindigkeit	Durchmesser der Wasserleitungen ist zu klein	Stellen Sie sicher, dass sie mindestens 10 mm groß ist
	Stromversorgung der Pumpe	Überprüfen Sie, ob die von der Stromversorgung zur Pumpe verlaufende Zuleitung die korrekte Drahtdicke aufweist und den relevanten Standards entspricht, um der Pumpe die volle Leistung zukommen zu lassen und ob die Batterien aufgeladen sind.
	Wasserleitung wurde auf Grund zu stark angezogener Schlauchschellen eingedrückt.	Tauschen Sie die beschädigten Anschlüsse aus.
	Pumpe ist zu weit vom Wasserbehälter entfernt	Die Pumpe sollte möglichst neben dem Wasserbehälter aufgestellt werden
	An der Druckstutze der Pumpe tritt Wasser aus.	Überprüfen Sie die Wasserleitung / Verbindungen auf undichte Stellen und führen Sie notwendige Reparaturen durch. Überprüfen Sie, ob die Ablassstopfen im System verschlossen sind.
	Pumpe verstopft	Entfernen Sie den Klarsichtdeckel, spülen und zu ersetzen Sie den Siebkörper.

## 14. EINWINTERUNG

Wenn zugelassen wird, dass Wasser in der Anlage gefriert, kann dies zu schweren Schäden am Leitungssystem und der Pumpe führen. Fehler dieser Art haben ein Erlöschen der Garantie zur Folge. Um solche Schäden zu vermeiden, muss das Wasser komplett aus der Wasseranlage abgelassen werden.

1. Entleeren Sie den Tank mithilfe der Pumpe oder des Ablassventils.
2. Öffnen Sie alle Hähne (einschließlich des Ablassventils) und lassen Sie die Pumpe das Wasser vollständig aus dem System pumpen. Schalten Sie die Pumpe anschließend aus.
3. Trennen Sie die Pumpe vom System und schalten Sie sie ein, um das Wasser in einen geeigneten Behälter abzulassen. Schließen Sie die Pumpe nur wieder an, wenn die Wasseranlage verwendet werden soll.



4. Vergessen Sie nicht, alle Hähne und Duschen aufgedreht zu lassen, außer bei der Whale Twist™ Deck Dusche, um Schäden zu vermeiden. Weitere Informationen dazu, wie Sie das Wassersystem bei Installationen in Wohnmobilen/ Wohnwagen entleeren können, um Ihr System winterfest zu machen, finden Sie unter [www.whalepumps.com](http://www.whalepumps.com). Für Beratungen bezüglich Montage oder Kundendienst, steht Ihnen die Kundenbetreuung von Whale® zur Verfügung.

## 15. ANGABEN ZU SERVICELEISTUNGEN

**Whale (Munster Simms Engineering Ltd)**, Old Belfast Road, Bangor, N. Ireland BT19 1LT  
Tel: +44 (0)28 9127 0531 Fax: +44 (0)28 9146 6421 Email: [info@whalepumps.com](mailto:info@whalepumps.com)

**Whale Seaward Inc**, 91 Manchester Valley Road, Manchester Center, VT 05255  
Tel: 1 802 367 1091 Fax: 1 802 367 1095 Email: [usasales@whalepumps.com](mailto:usasales@whalepumps.com)

Für die Whale® Watermaster sind folgende Wartungssets erhältlich:  
AK1316 - Ersatz-Pumpenkopf-Wartungsset für Wohnmobile  
AK1317 - Mikroschalter-Set  
AK1318 - Ersatz-Pumpenkopf-Wartungsset für Bootsanwendungen  
AK1319 - Ersatzfilter für Bootsanwendungen  
AK1320 - Ersatzfilter für Wohnmobile

## 16. PATENTE UND HANDELSMARKEN

Whale® und Watermaster® sind eingetragene Warenzeichen des unter dem Handelsnamen „Whale“ tätigen Unternehmens Munster Simms Engineering Limited. Für die automatische Whale®-Watermaster®-Druckpumpe wurde das folgende Patent angemeldet: 1214335.0

Whale®-Watermaster® wird durch die folgenden Patente geschützt:

**USA:** 6,840,745 **Kanada:** 2 380 465 **Vereinigtes Königreich:** GB 1 222 392 **Frankreich:** FR 1 222 392  
**Italien:** IT 1 222 392 **Deutschland:** DE 60018089.1(EP(DE) 1 222 392)

## 17. GARANTIEERKLÄRUNG

Auf dieses Whale®-Produkt besteht eine 2-jährige Garantieleistung - Bitte lesen Sie sich für nähere Informationen unsere beigefügte Garantieerklärung durch.

## 18. EU-KONFORMITÄTSERKLÄRUNG, NORMEN UND ZULASSUNGEN

Dieses Produkt entspricht allen maßgeblichen europäischen Richtlinien und Normen. Für weitere Angaben wenden Sie sich bitte an Whale®.

### Herstellereklärung

Hiermit erklären wir unter unserer alleinigen Verantwortung, dass die beigefügten Betriebsmittel den Bestimmungen der nachfolgenden EG-Richtlinien entsprechen.

Richtlinie 2004/108/EC zur Elektromagnetischen Verträglichkeit, zur Angleichung der Gesetze der Mitgliedsstaaten zur elektromagnetischen Verträglichkeit.

**CE-Zeichen angebracht:** 30/05/2012

### Grundlage der Konformitätserklärung

Die obenstehenden Betriebsmittel entsprechen den Schutzanforderungen der AMV-Richtlinie

### Angewandte Normen

ISO10133:2000	Kleinspannung, Gleichstrom
EN55014-1:2006	EMV-Strahlung
EN55014-2:1997+A2:2008	EMV-Festigkeit
EN28846 :1993	Zündschutz
ABYC-H23	Montage einer Trinkwasseranlage

Datum: 30/05/2012  
Funktion: Technischer Direktor

# MANUALE DI INSTALLAZIONE E D'USO

## Una pompa a pressione automatica - Whale® Watermaster®

**IT**

Grazie per aver acquistato questo prodotto Whale®. Da oltre 40 anni, Whale® è leader nella progettazione e nella costruzione di sistemi per acqua pulita e di scarico che comprendono: pompe, impianti idraulici, rubinetti e docce per applicazioni a bassa tensione. L'azienda, grazie ai suoi prodotti, si è costruita un'ottima reputazione per la qualità, l'affidabilità e le soluzioni innovative, nonché per l'eccellente servizio di assistenza. Per informazioni sull'intera gamma dei nostri prodotti, visitate il sito [www.whalepumps.com](http://www.whalepumps.com)

### 1. SPECIFICHE TECNICHE

#### Modelli per imbarcazioni

Codice prodotto	FW0814(B)	FW1214(B)	FW1215(B)	FW1225(B)	FT0814B	FT1214B	FT1215B	FT1225B
Tensione	12 V	12 V	12 V	24 V	12 V	12 V	12 V	24 V
Portata flusso aperto (per min)	8 ltrs	11.5 ltrs			8 ltrs	11.5 ltrs		
Protezione IP	IP65							
Dimensione fusibile raccomandata (tipo lamellare)	5	7.5	7.5	5	5	7.5	7.5	5
Assorbimento max di corrente	4 A	6 A	6 A	3.5 A	4 A	6 A	6 A	3.5 A
Dimensioni minime filo	1.5mm <sup>2</sup> (16 AWG)							
Peso	1.5 kg							
Pressione di distacco	2 bar (30psi)			3 bar (45psi)		2 bar (30psi)		3 bar (45psi)
Dimensione Ingresso/Uscita	Collegamenti femmina Whale® Quick Connect da 15 mm				1/2" Collegamenti filettati NPT			
Materiali	<b>Corpo pompa:</b> Polipropilene addizionato con vetro, PBT (Tereftalato di Polibutilene) <b>Piedi, diaframma e valvole:</b> Monprene®, <b>Guarnizioni:</b> Nitrile®, <b>Perni:</b> Acciaio inossidabile							
Materiali in contatto col liquido	Polipropilene addizionato con vetro, Monprene®, Nitrile®, Acciaio inossidabile							
Kit di assistenza	AK1316 – Kit di sostituzione testa			AK1317 – Kit Microswitch		AK1319 - Filtro		
Alzata aspirazione max	3 m							
Testa di scarico max	20m		30m		20m		30m	

\* (B) indica pompe disponibili per la vendita a operatori professionali.

#### Modelli per caravan / RV

Codice Prodotto	FP0814 (B)
Tensione	12
Portata flusso aperto (per min.)	8ltrs (2.0 GPM)
Pressione di distacco	2 bar (30psi)
Dimensione fusibile raccomandata	5 A per automobili
Assorbimento max di corrente	4 A
Peso	1.48 kg
Dimensione Ingresso/Uscita	Collegamenti femmina Whale Quick Connect da 12 mm
Diametro del tubo	1/2" tubo flessibile - WU1282. 3/8" tubo flessibile - WU1280
Collegamenti per sistema tubazione semi rigida	Per Whale® Quick Connect da 12mm non è necessario alcun adattatore – utilizzare tubazione semi rigida da 12 mm WX7112
Materiali in contatto col liquido	Polipropilene addizionato con vetro, Monprene®, Nitrile®, Acciaio inossidabile
Kit di assistenza	AK1317 - Kit Microswitch    AK1318 - Kit di sostituzione testa    AK1320 - Filtro
Dimensioni max filo	1.5mm <sup>2</sup> (16 AWG)
Alzata aspirazione max	3m (9 ft)
Testa di scarico max	20m (66ft)

### 2. CONTENUTO E ELENCO DEGLI SCHEMI

- |                                                                                                                                                                                                                                                                                                |                                                                                                                                                                                                                                                                                                                                                                                            |
|------------------------------------------------------------------------------------------------------------------------------------------------------------------------------------------------------------------------------------------------------------------------------------------------|--------------------------------------------------------------------------------------------------------------------------------------------------------------------------------------------------------------------------------------------------------------------------------------------------------------------------------------------------------------------------------------------|
| <ol style="list-style-type: none"> <li>1. SPECIFICHE</li> <li>2. CONTENUTO</li> <li>3. PRINCIPI DI FUNZIONAMENTO</li> <li>4. PER L'UTENTE</li> <li>5. PER L'INSTALLATORE</li> <li>6. APPLICAZIONE</li> <li>7. ATTENZIONE</li> <li>8. ELENCO DELLE PARTI</li> <li>9. EXTRA OPZIONALI</li> </ol> | <ol style="list-style-type: none"> <li>10. INSTALLAZIONE</li> <li>11. ISTRUZIONI PER L'USO</li> <li>12. MANUTENZIONE</li> <li>13. IDENTIFICAZIONE</li> <li>14. PREPARAZIONE PER L'INVERNO</li> <li>15. DETTAGLI DEL SERVIZIO DI ASSISTENZA</li> <li>16. BREVETTI E MARCHI REGISTRATI</li> <li>17. GARANZIA</li> <li>18. DICHIARAZIONE DI CONFORMITÀ UE, STANDARD E APPROVAZIONI</li> </ol> |
|------------------------------------------------------------------------------------------------------------------------------------------------------------------------------------------------------------------------------------------------------------------------------------------------|--------------------------------------------------------------------------------------------------------------------------------------------------------------------------------------------------------------------------------------------------------------------------------------------------------------------------------------------------------------------------------------------|

Fig. 1a Installazione tipica per imbarcazioni

Fig. 1b Installazione tipica per RV

Fig. 2 Orientamento pompa

Fig. 3 Fissaggio della pompa

Fig. 4 Collegamento del filtro

Fig. 5 Collegamenti per tubazione

Fig. 6 Cablaggio

### 3. PRINCIPI DI FUNZIONAMENTO

Whale Watermaster è una pompa a pressione automatica progettata per imbarcazioni da diporto o veicoli ricreazionali. La pompa integra motori altamente specifici e un cablaggio totalmente protetto a garanzia dell'affidabilità e di un flusso uniforme e costante durante l'utilizzo. Fare riferimento alle specifiche tecniche (sezione 1) per la gamma del modello.

### 4. PER L'UTENTE

Leggere attentamente quanto segue prima dell'installazione.

**ATTENZIONE!** Tenere presente che un'installazione non corretta può far decadere la garanzia

### 5. PER L'INSTALLATORE

Controllare che il prodotto sia adatto all'applicazione intesa, seguire le presenti istruzioni di installazione e garantire che il personale addetto legga i punti elencati sotto. Assicurarsi anche che le presenti istruzioni d'uso vengano consegnate all'utente finale.

### 6. APPLICATIONS

La gamma delle pompe a pressione automatica Whale® Watermaster® è progettata per l'installazione all'interno di imbarcazioni da diporto o veicoli ricreazionali, esclusivamente per l'utilizzo con acqua salata o dolce e unicamente con alimentazione elettrica da 12 V D.C. o 24 V D.C. Se le pompe sono destinate a utilizzi diversi o con altri liquidi, l'utente deve assicurarsi che le pompe siano idonee all'uso previsto e, in particolare, che i materiali siano completamente compatibili con i liquidi da usare.

### 7. AVVERTIMENTI

1. Questa pompa è progettata per il rifornimento di acqua su imbarcazioni, caravan o camper. Qualora venisse utilizzata per qualsiasi altro scopo, è responsabilità dell'utente assicurare che la pompa sia idonea all'utilizzo in questione.
2. **Non** adatto per l'uso con liquidi infiammabili, gasolio, chimici ecc. Adatta esclusivamente per acqua dolce o salata.
3. Il filtro Whale® **deve essere** posizionato sul lato di ingresso della pompa per prevenire l'entrata di eventuale sporcizia/detriti all'interno della pompa stessa (pompe al dettaglio incluse).
4. Con tutte le applicazioni, è importante che venga adottato un sistema di lavoro sicuro per l'installazione, l'utilizzo e la manutenzione. Assicurarsi che l'alimentazione elettrica sia spenta e che il sistema idraulico sia stato vuotato prima dell'installazione. Per fissare in modo saldo l'unità, assicurarsi che la superficie di montaggio presenti uno spessore minimo di 19 mm se fissato con le viti in dotazione.
5. **NOTA:** Nelle applicazioni per imbarcazioni, **non** avvitare direttamente allo scafo. Deve essere montata su una paratia o un pannello supplementari.
6. **ATTENZIONE:** La pompa **non** è progettata per un utilizzo continuato. Ciclo di funzionamento massimo < 33%
7. **ATTENZIONE!** Pericolo di incendio. I cablaggi devono essere conformi agli standard elettrici applicabili e includere un fusibile o un interruttore di dimensioni adeguate. Un cablaggio non corretto può causare incendi con rischio di incidenti o morte. Spegnerne l'alimentazione mentre si effettuano i collegamenti. Le informazioni sui cablaggi hanno titolo orientativo. Per informazioni più complete, fare riferimento alle norme USCG, ABYC e ISO per le applicazioni marine e i calibri dei fili, i connettori e i fusibili.



### 8. ELENCO DELLE PARTI

- Qtà 1 Whale® Watermaster®  
Qtà 1 Kit viti (Solo al dettaglio)  
Qtà 1 Filtro Whale® (Solo al dettaglio)  
Qtà 2 WX1587B - 1/2" Connettori filettati (Solo al dettaglio)  
Qtà 2 WX1584B - 1/2" Connettori dentellati (Solo al dettaglio)

### 9. EXTRA OPZIONALI

- AK1316 Kit di sostituzione testa per imbarcazioni  
AK1317 Kit Microswitch  
AK1318 Kit di sostituzione testa per caravan / RV  
WF1530 Whale Aquasource Clear Water Filter 15mm  
WF1230 Whale Aquasource Clear Water Filter 12mm

### 10. INSTALLAZIONE

**NOTA:** l'errata installazione comporterà l'annullamento della garanzia

Preparazione - Prima di procedere all'installazione, scollegare sempre le fonti di alimentazione.

La Watermaster® è progettata per l'utilizzo nelle seguenti applicazioni:

In imbarcazioni da diporto per il tempo libero (fig. 1a)

In RV/ caravan (fig. 1b)

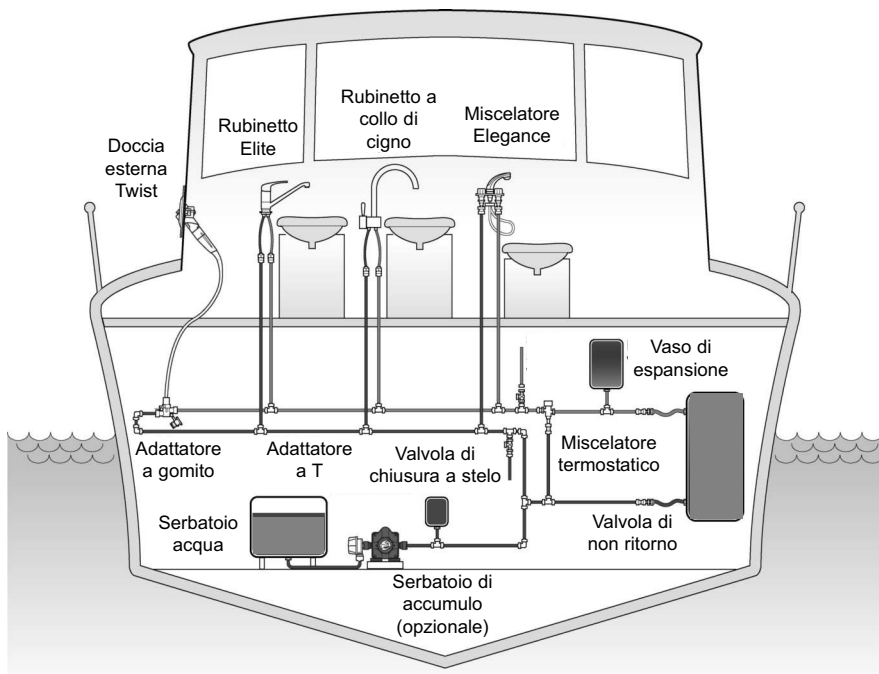


Fig. 1a Installazione tipica in un impianto acque dolci per imbarcazioni (L'illustrazione ha esclusivo scopo di guida)

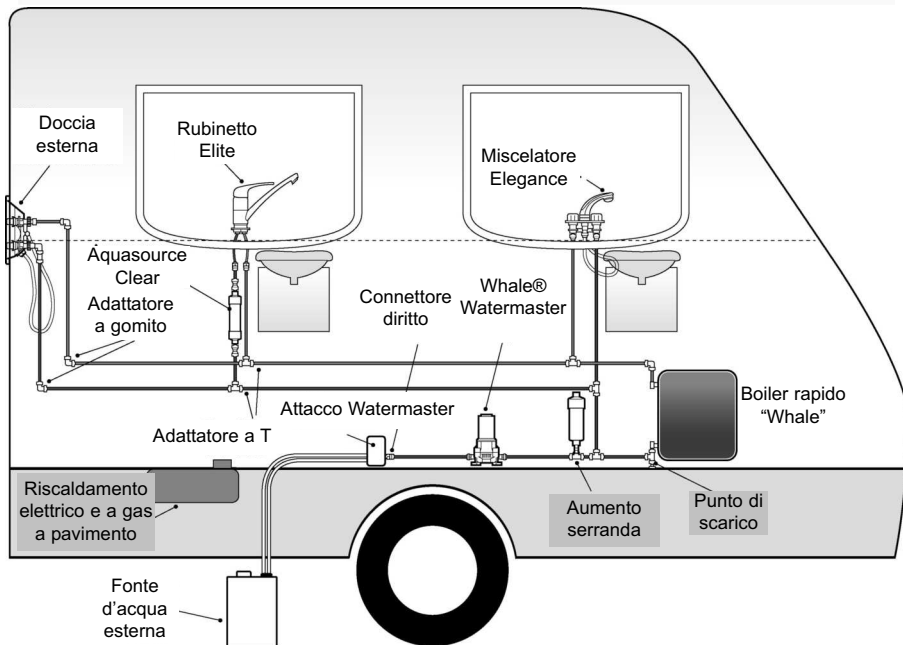


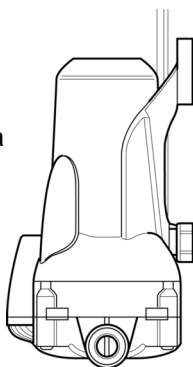
Fig. 1b Installazione tipica in un impianto acque dolci per caravan (L'illustrazione ha esclusivo scopo di guida)

## 10.i Istruzioni per il montaggio

- Fase 1** Posizionare in un luogo asciutto con adeguata ventilazione e a non più di 3 m (9ft) sopra il serbatoio dell'acqua. Nel normale utilizzo, assicurarsi che la pompa non venga sommersa dall'acqua.
- Fase 2** Assicurarsi che la pompa sia montata libera da ostacoli e accessibile per la manutenzione.
- Fase 3** Nelle applicazioni per imbarcazioni, la pompa può essere montata orizzontalmente o verticalmente. Nelle applicazioni per RV/caravan, la pompa deve essere montata in posizione verticale. Si raccomanda di montare la testa della pompa al di sotto del livello del motore (Figura 2). Per suggerimenti sulle specifiche installazioni, si prega di contattare il supporto tecnico Whale®.
- Fase 4** La posizione dei piedini è regolabile per consentire installazioni successive in luoghi diversi. Utilizzare 3 viti e rondelle in acciaio inossidabile (fornite con la pompa al dettaglio) per fissare la pompa a una superficie solida e mantenerla ben salda. Vedi Figura 3.

Fig 2 - Orientamento raccomandato per il montaggio della pompa

Modelli per imbarcazioni



Modelli per caravan / RV

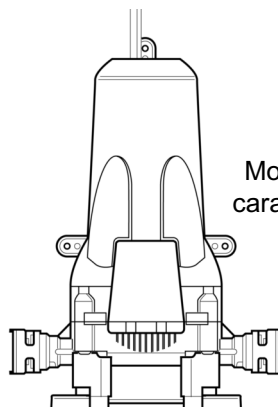
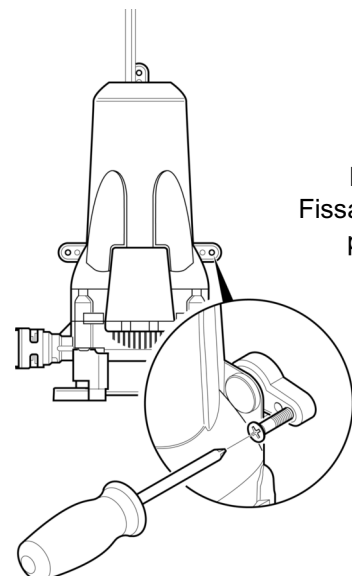


Fig 3 - Fissaggio della pompa



## 10.ii Allacciamenti idraulici

- Controllare la direzione del flusso della pompa (come indicato sul corpo della pompa) e verificare che il filtro (fornito con la pompa al dettaglio) sia attaccato all'ingresso della pompa (Figura 4).
- Non utilizzare mai sigillante per tubature o nastro sigillante su adattatori filettati, poiché questi potrebbero entrare all'interno della pompa e provocare guasti.

Fig 4 - Collegamento del filtro all'ingresso della pompa

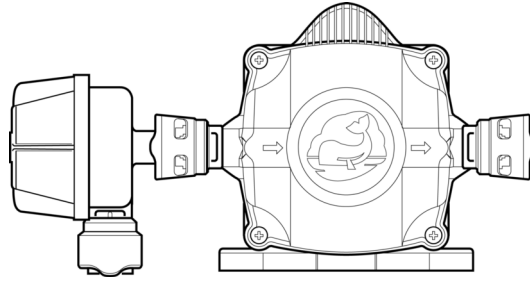
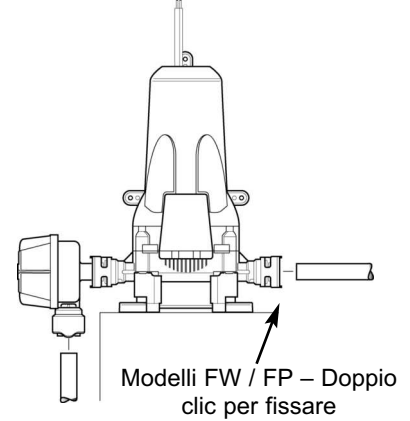


Fig 5 - Collegamento della tubazione



- Per modelli FW o FP, effettuare un doppio clic nelle connessioni Quick Connect (Figura 5).
- Per i modelli FT viene fornita una connessione filettata maschio NPT da 1/2" per essere utilizzata in coppia con una NPT femmina per una connessione più semplice sulla tubazione esistente.
- Per le unità al dettaglio, si forniscono inoltre connettori filettati e dentellati da 1/2" per un'installazione alternativa. Questi possono essere facilmente connessi alla testa Quick Connect

## 10.iii Cablaggi elettrici



**ATTENZIONE!** Pericolo di incendio. I cablaggi devono essere conformi agli standard elettrici applicabili e includere un fusibile o un interruttore di dimensioni adeguate. (Si prega di controllare la tabella delle specifiche tecniche per le dimensioni dei fusibili – sezione 1).

**ATTENZIONE!** Un cablaggio non corretto può causare incendi con rischio di incidenti o morte.

**NOTA:** Spegner l'alimentazione mentre si effettuano i collegamenti. Le informazioni sui cablaggi hanno titolo orientativo. Per informazioni più complete, fare riferimento alle norme USCG, ABYC e ISO per le applicazioni marine e i calibri dei fili, i connettori e i fusibili.

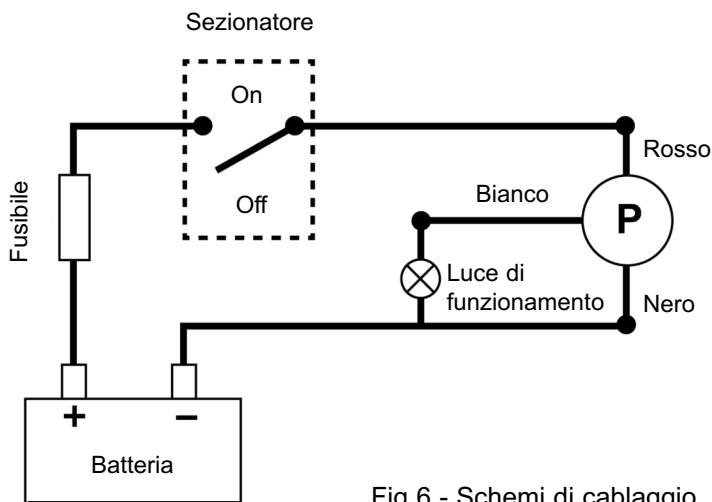


Fig 6 - Schemi di cablaggio

- Fase 1** Utilizzare i fusibili specificati, come indicato sull'etichetta del motore all'interno del circuito.
- Fase 2** Collegare il cavo rosso al positivo e il cavo nero al negativo
- Fase 3** Il cavo bianco può essere collegato a una luce di funzionamento per indicare quando è in uso.
- Fase 4** Collocare un interruttore isolante con un'adeguata portata nominale sul lato positivo dell'alimentazione.
- Fase 5** Per prevenire il funzionamento continuo della pompa, spegnere isolare l'impianto quando l'imbarcazione/il veicolo rimane ferma/o o quando si effettua lo svuotamento del serbatoio dell'acqua
- Fase 6** Utilizzare connettori impermeabili (IP65) se la connessione è al di sotto del livello massimo dell'acqua di sentina.

## 11. ISTRUZIONI PER L'USO

Verificare che l'installazione della pompa sia stata approfonditamente testata prima dell'utilizzo.

- Fase 1** Installare la pompa seguendo le indicazioni sopra riportate (vedere sezione 10. Installazione).
- Fase 2** Collegare la pompa al circuito dell'acqua.
- Fase 3** Collegare la pompa all'alimentazione.

Per assicurare il normale funzionamento del proprio impianto idrico, seguire la check list seguente:

- Eliminare l'aria dal circuito (per prevenire problemi di adescamento, cali di prestazione, rumori e vibrazioni).
- Controllare l'adescamento della pompa (il filtro dovrebbe essere riempito d'acqua).
- Controllare l'avviamento e l'arresto della pompa. Ciò dovrebbe essere automatico aprendo e chiudendo un rubinetto/valvola/doccia/doccino.

**NOTA:** Controllare regolarmente il proprio circuito per eventuali perdite o collegamenti allentati.

Per qualsiasi problema, si prega di fare riferimento alla tabella di risoluzione dei problemi, Sezione 14.

## 12. MANUTENZIONE

Questa pompa Whale® Watermaster® richiede una manutenzione minima.

**ATTENZIONE!** Durante le operazioni di manutenzione, controllare che la pompa sia scollegata dalle linee elettriche e idrauliche.

### Per prestazioni ottimali

- Controllare che non ci siano scorie o detriti all'interno delle tubature e dei componenti
- Qualora la pompa non stesse funzionando a piena capacità, scollegare le parti elettriche e le tubature e controllare la regolazione della valvola all'interno della testa della pompa per eventuali blocchi.

### Controlli annuali

- Whale® suggerisce una verifica totale delle tubazioni per eventuali perdite o ostruzioni del tubo. Una verifica elettrica è fortemente consigliata.

## 13. IDENTIFICAZIONE E RISOLUZIONE DEI GUASTI

Problema	Possibili Cause	Possibile Soluzione
La pompa non gira	Assenza di alimentazione nella pompa	Controllare l'alimentazione. Collegare i fili / pulire i collegamenti
	Fusibile bruciato	Sostituire il fusibile
	La pompa è difettosa	Sostituire la pompa
	Il Microswitch è difettoso	Controllare il funzionamento e sostituire se difettoso (AK1317)
La pompa gira ma non emette acqua	Non arriva acqua alla pompa / Blocco nelle tubazioni	Controllare che il serbatoio dell'acqua non sia vuoto. Controllare che il filtro non sia ostruito. Controllare che il livello dell'approvvigionamento dell'acqua e le impostazioni di sicurezza della pressione siano appropriati per l'impianto
	Valvola di scarico della pressione troppo bassa	Controllare il livello di alimentazione dell'acqua e le impostazioni di scarico della pressione.
	Perdite d'acqua sul lato di uscita della pompa	Controllare le tubazioni e i raccordi idraulici e ripararli. Controllare che i tappi di scarico del sistema siano chiusi.
La pompa gira ma non si spegne	Perdite d'acqua sul lato di uscita della pompa	Controllare le tubazioni e i raccordi idraulici e ripararli. Controllare che i tappi di scarico del sistema siano chiusi.
	L'acqua che arriva alla pompa è insufficiente	Controllare i livelli di approvvigionamento dell'acqua
La pompa si accende e si spegne continuamente anche quando i rubinetti sono chiusi.	Perdite d'acqua sul lato di uscita della pompa	Controllare la presenza di perdite sulle tubazioni e sui raccordi idraulici e ripararli. Controllare che i tappi di scarico del sistema siano chiusi. La valvola di sicurezza della pressione dell'impianto è troppo bassa (solitamente collocata nel boiler / clorificatore)
Funzionamento rumoroso	La pompa risucchia aria	Consultare "l'acqua non arriva alla pompa" (sopra)
	Rumore creato dalle vibrazioni	Controllare che la pompa sia montata su una superficie solida. Controllare che il corpo della pompa non sia in contatto con superfici dure. Collocarla lontana dalle superfici che interferiscono. Controllare che le tubazioni siano supportate correttamente
Flusso scarso	Diametro dei collegamenti dei tubi troppo piccolo	Assicurarsi che vi sia un foro minimo di 10 mm
	Alimentazione alla pompa	Controllare che l'alimentazione della pompa utilizzi cavi di dimensioni adeguate, in linea con gli standard di legge, per fornire pieno voltaggio alla pompa. Controllare che la batteria non sia scarica
	Tubazioni / raccordi schiacciati da fermi troppo serrati	Sostituire i collegamenti danneggiati
	Pompa troppo lontana dal serbatoio dell'acqua	La pompa dovrebbe essere collocata vicino al serbatoio dell'acqua
	Perdite d'acqua sul lato di uscita della pompa	Controllare la presenza di perdite sulle tubazioni e sui raccordi idraulici e ripararli. Controllare che i tappi di scarico del sistema siano chiusi
	Filtro della pompa otturato	Rimuovere il labbro pulito e sostituire il corpo principale del filtro (tenere la rete per il labbro)

## 14. PREPARAZIONE PER L'INVERNO

Se si lascia congelare l'acqua nell'impianto, potrebbero verificarsi seri danni alle tubazioni e alla pompa. Danni di questo tipo invalideranno la garanzia. Al fine di evitare tale danno, svuotare completamente l'impianto idrico.

1. Scolare il serbatoio utilizzando sia la pompa sia una valvola di scolo.
2. Aprire tutti i rubinetti (compresa la valvola di scolo) e lasciare che la pompa spurghi l'acqua dall'impianto, quindi spegnerla.
3. Scollegare la pompa e riaccendere per spurgare utilizzando un contenitore adeguato. Ricollegare la pompa solamente quando è necessario utilizzare l'impianto idrico.
4. Ricordarsi di lasciare aperti tutti i rubinetti e le docce per evitare danni, eccetto la doccia del ponte Whale Twist™ Deck Shower. Per le installazioni su RV / caravan visitare il sito [www.whalepumps.com](http://www.whalepumps.com) per ulteriori dettagli su come svuotare il proprio impianto idrico in preparazione all'inverno.





## 15. DETTAGLI DEL SERVIZIO DI ASSISTENZA

**Whale (Munster Simms Engineering Ltd)**, Old Belfast Road, Bangor, N. Ireland BT19 1LT  
Tel: +44 (0)28 9127 0531 Fax: +44 (0)28 9146 6421 Email: info@whalepumps.com

**Whale Seaward Inc**, 91 Manchester Valley Road, Manchester Center, VT 05255  
Tel: 1 802 367 1091 Fax: 1 802 367 1095 Email: usasales@whalepumps.com

Per la Whale® Watermaster® sono disponibili i seguenti kit di assistenza:

AK1316 - Kit di sostituzione testa per imbarcazioni

AK1317 - Kit Microswitch

AK1318 - Kit di sostituzione testa per RV

AK1319 - Sostituzione filtro per imbarcazioni

AK1320 - Sostituzione filtro per RV

## 16. BREVETTI E MARCHI REGISTRATI

Whale® e Watermaster® sono marchi registrati di Munster Simms Engineering Limited in commercio come Whale. La Pompa a pressione automatica Whale® Watermaster® è in attesa di brevetto con il seguente numero: 1214335.0

Whale® Watermaster® è protetta dai seguenti brevetti:

**Stati Uniti d'America:** 6,840,745

**Canada:** 2 380 465

**Regno Unito:** GB 1 222 392

**Francia:** FR 1 222 392

**Italia:** IT 1 222 392

**Germania:** DE 60018089.1(EP(DE) 1 222392)

## 17. GARANZIA

Questo prodotto Whale ® è coperto da una garanzia di 1 anno. Si veda il documento allegato per i dettagli sulla nostra dichiarazione di garanzia limitata. Contattare Whale® per ulteriori dettagli.

## 18. DICHIARAZIONE DI CONFORMITÀ UE, STANDARD E APPROVAZIONI

Questo prodotto è conforme a tutte le direttive e gli standard europei rilevanti.

### Dichiarazione del produttore

Con la presente dichiariamo, sotto la nostra esclusiva responsabilità, che le attrezzature incluse sono conformi alle seguenti Direttive CE.

**Direttiva sulla compatibilità elettromagnetica** 2004/108/EC sull'armonizzazione delle leggi degli stati membri in relazione alla compatibilità elettromagnetica.

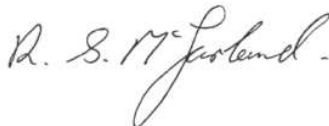
**Marchio CE apposto:** 30/05/2012

### Base della dichiarazione di conformità

Le attrezzature descritte sopra sono conformi ai requisiti di protezione della direttiva EMC

### Standard applicati

ISO10133:2000	Installazione a tensione molto bassa cc
EN55014-1:2006	Emissioni EMC
EN55014-2:1997+A2:2008	Immunità EMC
EN28846 :1993	Protezione dall'ignizione
ABYC-H23	Installazione di acqua potabile



Data: 30/05/2012

Posizione: Direttore Engineering

# MANUAL DE INSTRUCCIONES DE INSTALACIÓN Y SERVICIO

## Una Bomba de Presión Automática Whale® Watermaster®

ES

Muchas gracias por comprar este producto Whale®. Desde hace más de 40 años, Whale® es el referente en el diseño y la fabricación de sistemas de agua dulce, achique y aguas residuales incluyendo accesorios de fontanería, grifos, duchas, tanques y bombas en 12 y 24 voltios. La empresa y sus productos son hoy sinónimo de calidad, fiabilidad e innovación, respaldados por un excelente servicio de atención al cliente. Para obtener más información sobre nuestra gama completa de productos, visite [www.whalepumps.com](http://www.whalepumps.com)

### 1. ESPECIFICACIONES

#### Modelos marinos

Código del producto	FW0814(B)	FW1214(B)	FW1215(B)	FW1225(B)	FT0814B	FT1214B	FT1215B	FT1225B
Voltaje	12	12	12	24	12	12	12	24
Caudal abierto (por minuto)	8 ltrs	11.5 ltrs			8 ltrs	11.5 ltrs		
Índice de protección de ingreso	IP65							
Tamaño de fusibles recomendado (amperio de automoción)	5	7.5	7.5	5	5	7.5	7.5	5
Consumo máximo de corriente (amperios)	4	6	6	3.5	4	6	6	3.5
Tamaño de cable mínimo	1.5mm <sup>2</sup> (16 AWG)							
Peso	1.5 kg							
Presión de desconexión	2 bar (30psi)		3 bar (45psi)		2 bar (30psi)		3 bar (45psi)	
Tamaño entrada/salida	Quick Connect de Whale® Conexiones hembra de 15 mm				Conexiones roscadas de 1/2" NPT			
Materiales	<b>Cuerpo de la bomba:</b> Polipropileno relleno de vidrio, PBT (tereftalato de polibutileno) <b>Soportes, diafragma y válvulas:</b> Monprene®, <b>Juntas:</b> Nitrile®, <b>Fijadores:</b> Acero inoxidable							
Materiales en contacto con fluidos	Polipropileno relleno de vidrio, Monprene®, Nitrile®, Acero inoxidable							
Kits de servicio	AK1316 – Kit de cabezal de recambio			AK1317 – Kit de microinterruptor		AK1319 - Filtro		
Elevación de succión máxima	3 m							
Cabezal de descarga máxima	20m		30m		20m		30m	

\* (B) Bombas de sufijos indicados están disponibles como un elemento de mayor o al por menor.

#### Modelos autocaravanas/caravanas

Código del producto	FP0814 (B)		
Voltaje	12		
Caudal abierto (por minuto)	8ltrs		
Presión de desconexión	2 bar (30psi)		
Tamaño de fusibles recomendado	5 Amperio de automoción		
Consumo máximo de corriente	4 Amperio		
Peso	1.48 kg		
Tamaño entrada/salida	Quick Connect de Whale Conexiones hembra de 12 mm		
Diámetro interior tubo	Manguera flexible de 1/2" - WU1282. Manguera flexible de 3/8" - WU1280		
Conexiones del sistema de tuberías semirrígidas	Para Quick Connect de Whale® no se requiere un adaptador de 12 mm; utilizar tubería semirrígida de 12 mm WX7112		
Materiales en contacto con fluidos	Polipropileno relleno de vidrio, Monprene®, Nitrile®, Acero inoxidable		
Kits de servicio	AK1317 - Kit de microinterruptor	AK1318 - Kit de cabezal de recambio	AK1320 - Filtro
Tamaño de cable máxima	1.5mm <sup>2</sup> (16 AWG)		
Elevación de succión máxima	3m		
Cabezal de descarga máxima	20m		

### 2. LISTA DE CONTENIDOS Y LISTA DE DIAFRAGMAS

- |                                 |                                                          |
|---------------------------------|----------------------------------------------------------|
| 1. ESPECIFICACIONES             | 10. INSTALACIÓN                                          |
| 2. LISTA DE CONTENIDOS          | 11. INSTRUCCIONES DE USO                                 |
| 3. PRINCIPIOS DE FUNCIONAMIENTO | 12. MANTENIMIENTO                                        |
| 4. PARA EL USUARIO              | 13. SOLUCIÓN DE PROBLEMAS                                |
| 5. PARA EL INSTALADOR           | 14. INVERNAJE                                            |
| 6. APLICACIÓN                   | 15. DETALLES DE SERVICIO Y ASISTENCIA                    |
| 7. ADVERTENCIAS                 | 16. PATENTES Y MARCAS REGISTRADAS                        |
| 8. LISTA DE PIEZAS              | 17. DECLARACIÓN DE GARANTÍA                              |
| 9. EXTRAS OPCIONALES            | 18. DECLARACIÓN DE CONFORMIDAD UE, NORMAS Y APROBACIONES |

### 3. PRINCIPIOS DE FUNCIONAMIENTO

La Whale Watermaster es una bomba de presión automática diseñada para vehículos o embarcaciones de recreo. La bomba incorpora motores de altas especificaciones y cableado totalmente protegido para asegurar su fiabilidad y un caudal fluido y constante durante su uso. Consulte las especificaciones (sección 1) de la gama del modelo.

### 4. PARA EL USUARIO

Antes de la instalación lea estos consejos con atención.

**ADVERTENCIA:** Tenga en cuenta que una instalación incorrecta puede invalidar la garantía.

### 5. PARA EL INSTALADOR

Compruebe que el producto es el apropiado para la aplicación, siga las instrucciones de montaje y asegúrese de que todos los instaladores implicados lean los puntos siguientes. Asimismo, debe pasar estas instrucciones al usuario final.

### 6. APLICACIÓN

La gama de bombas de presión automáticas Whale® Watermaster® se ha diseñado para su instalación sólo en vehículos o embarcaciones de recreo tanto con agua salada como dulce y exclusivamente con alimentación eléctrica de 12 V CC o 24 V CC. Tanto si se destina para otras aplicaciones o con cualquier otro líquido, será responsabilidad del usuario asegurarse de que la bomba es adecuada para este uso y que los líquidos son totalmente compatibles con los materiales de la bomba.

### 7. MISES EN GARDE

1. Esta bomba está diseñada para suministrar agua en una embarcación, caravana o autocaravana. Si se destina a otro uso distinto del previsto, será responsabilidad del usuario asegurarse de la idoneidad de a bomba.
2. **No** es adecuada para el bombeo de líquidos inflamables, diesel, productos químicos, etc. Adecuada exclusivamente para agua dulce o salada.
3. **Se debe** instalar un filtro Whale® en el lado de entrada de la bomba para impedir que penetre suciedad o residuos (se incluye con las bombas que se venden en minoristas).
4. En todos los posibles usos es importante aplicar un conjunto de prácticas de trabajo seguras en la instalación, el uso y el mantenimiento. Antes de instalar, se ha de comprobar que el sistema de alimentación eléctrica esté desconectado y que se haya drenado el sistema. Para asegurar la instalación, se ha de comprobar que la superficie de montaje tenga un grosor mínimo de 19 mm para poder fijar los tornillos suministrados.
5. **NOTA:** En una aplicación marina, no atornillar directamente sobre el casco. Se debe montar sobre un mamparo o un soporte adicional
6. **PRECAUCIÓN:** La bomba no está diseñada para un uso continuado. Ciclo completo máximo < 33%
7. **ADVERTENCIA:** Peligro de incendio. El cableado debe cumplir con las normativas eléctricas aplicables y disponer de un fusible o disyuntor con un régimen nominal adecuado. Un cableado incorrecto puede provocar un incendio con resultado de lesiones personales graves o mortales. Antes de realizar las conexiones, se debe desconectar la alimentación eléctrica. La información sobre el cableado sugerido sólo tiene carácter orientativo. Para obtener una información completa, consulte las normativas USCG, ABYC e ISO sobre aplicaciones marinas y calibre decableado, conectores y fusibles de protección.



### 8. LISTA DE PIEZAS

Cant. 1	Whale® Watermaster®
Cant. 1	Kit de tornillos (solo minorista)
Cant. 1	Filtro Whale® (solo minorista)
Cant. 2	WX1587B - Conectores roscados de 1/2" (solo minorista)
Cant. 2	WX1584B - Conectores dentados de 1/2" (solo minorista)

### 9. EXTRAS OPCIONALES

AK1316	Kit de cabezal de recambio (marino)
AK1317	Kit de microinterruptor
AK1318	Kit de cabezal de recambio (caravanning)
WF1530	Whale Aquasource Clear Water Filter 15mm
WF1230	Whale Aquasource Clear Water Filter 12mm

### 10. INSTALACIÓN

**NOTA:** tenga en cuenta que una incorrecta instalación podría invalidar la garantía.

Preparación: antes de la instalación, compruebe que la fuente de alimentación esté desconectada.

La Watermaster® se ha diseñado para uso en las siguientes aplicaciones:

En embarcaciones marinas de recreo (fig. 1a)

En autocaravanas/caravanas (fig. 1b)

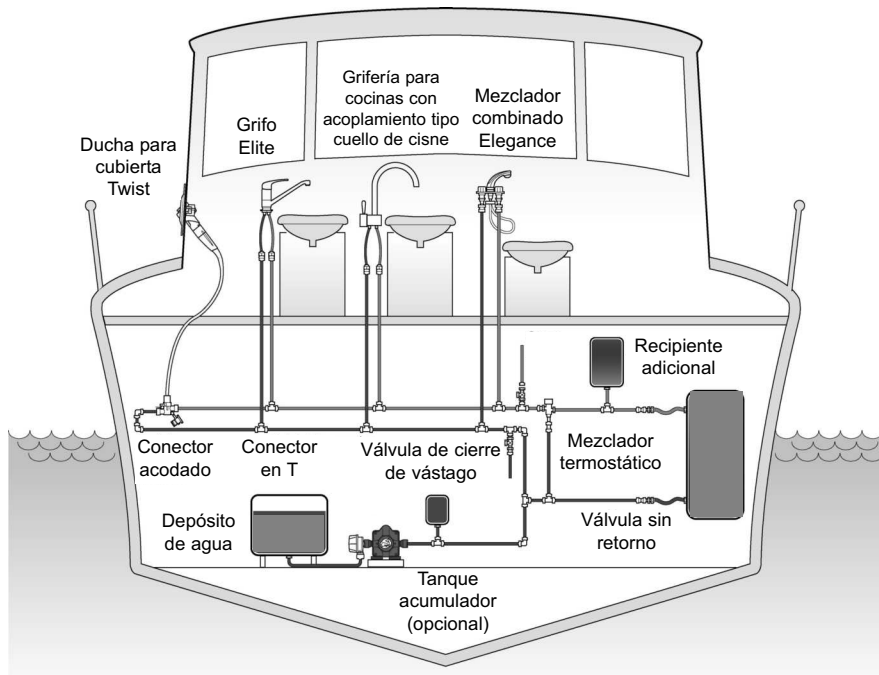


Fig. 1a Instalación marina normal (la ilustración solo tiene un carácter orientativo)

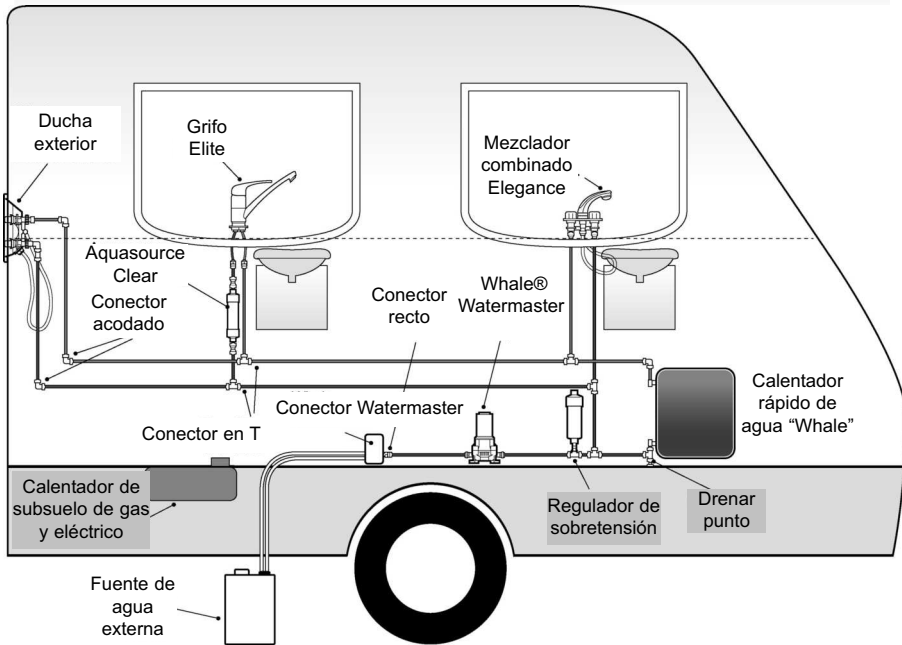


Fig. 1a Instalación caravanas normal (la ilustración solo tiene un carácter orientativo)

## 10.i Instrucciones de montaje

**Paso 1** Elija un lugar seco con adecuada ventilación que no se encuentre a más de 3 metros (9 pies) sobre el depósito del agua. Asegúrese de que la bomba no pueda quedar sumergida durante el servicio normal.

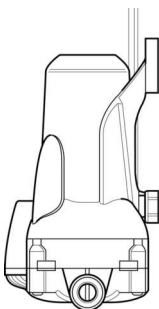
**Paso 2** Monte la bomba en un lugar sin obstáculos y accesible para las tareas de mantenimiento.

**Paso 3** En una instalación marina, la bomba se puede montar horizontal o verticalmente. En una autocaravana/caravana la bomba se debe montar verticalmente. Le recomendamos que monte el cabezal de la bomba por debajo del nivel del motor (Figura 2). Para obtener instrucciones para una instalación en concreto, póngase en contacto con el centro de servicio de Whale®.

**Paso 4** Los posiciones de los pies de soporte son ajustables para acondicionar el equipo. Utilice 3 tornillos y arandelas de acero inoxidable (se incluyen con las bombas que se venden en minoristas) para montar la bomba sobre una superficie resistente y fijarla de forma segura. Véase la figura 3

Fig 2 - Orientación de montaje de la bomba recomendada

Modelos marinos



Modelos autocaravanas

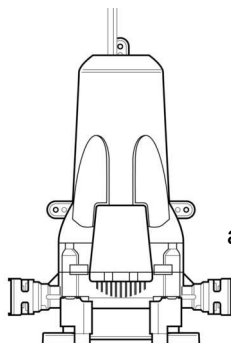
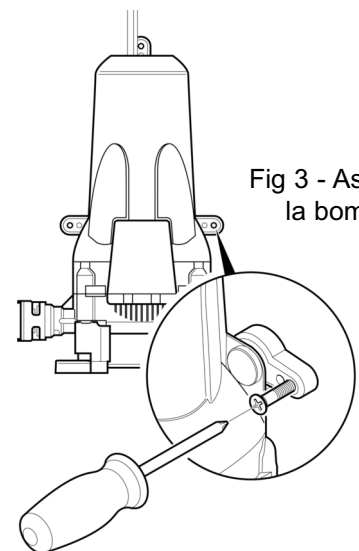


Fig 3 - Asegure la bomba



## 10.ii Conexión Tuberías

- Compruebe la dirección del flujo de bombeo (según se indica en el cuerpo de la bomba) y asegúrese de que el filtro (suministrado con la bomba que se vende en minoristas) esté conectado a la entrada del cabezal de la bomba (Figura 4).
- No utilice nunca sellantes para tubos ni cintas de sellado en los adaptadores roscados, ya que podrían penetrar en la bomba y provocar un fallo.

Fig 4 - Monte el filtro en la entrada de la bomba

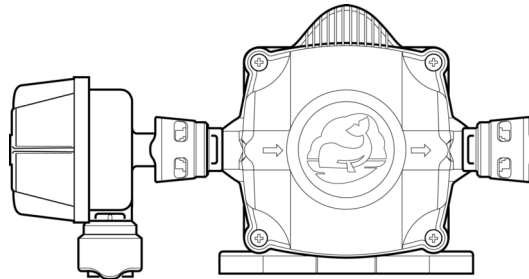
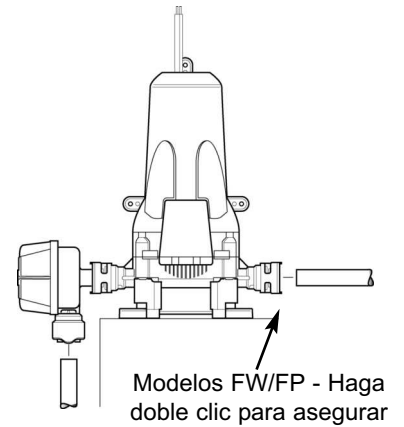


Fig 5 - Montaje de la tubería



- En los modelos FW o FP, asegure con un doble clic las conexiones del Quick Connect (figura 5).
- En los modelos FT se proporciona una conexión roscada NPT macho de 1/2" para utilizar con un NPT hembra a fin de conseguir una fácil conexión con la tubería existente.
- En las unidades de venta en minoristas, se suministran conectores roscados y dentados de 1/2" para una instalación alternativa. Estos se pueden conectar fácilmente en el cabezal Quick Connect

## 10.iii Instrucciones para la instalación eléctrica



**WARNING:** Peligro de incendio. El cableado debe cumplir con las normativas eléctricas aplicables y disponer de un fusible o disyuntor con un régimen nominal adecuado (Consulte la tabla de especificaciones para el valor nominal del fusible - sección 1)

**ADVERTENCIA:** Un cableado incorrecto puede provocar un incendio con resultado de lesiones personales graves o mortales.

**NOTA:** Antes de efectuar las conexiones, se debe desconectar la alimentación eléctrica. La información sobre el cableado sugerido sólo tiene carácter orientativo. Para obtener una información completa, consulte las normativas USCG, ABYC e ISO sobre aplicaciones marinas y calibre de cableado, conectores y fusibles de protección.

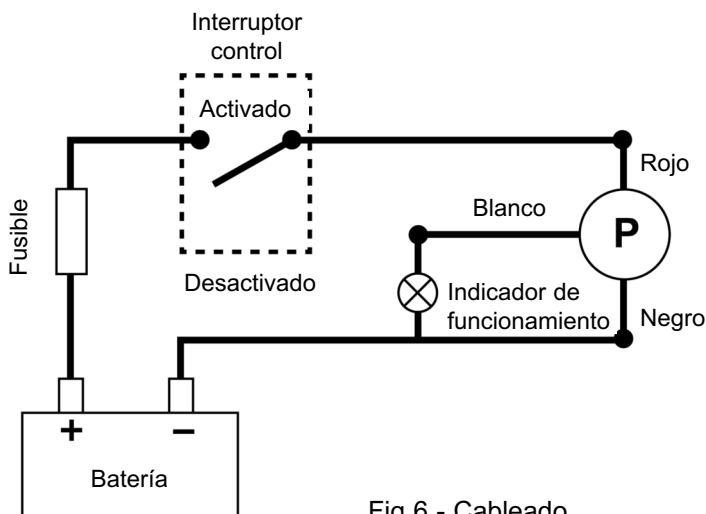


Fig 6 - Cableado

**Paso 1** Utilice el fusible especificado, según se indica en la etiqueta del motor del circuito.

**Paso 2** Conecte el cable rojo al positivo y el cable negro al negativo.

**Paso 3** El cable blanco se puede conectar a un indicador de funcionamiento.

**Paso 4** Monte un interruptor de control de un voltaje nominal adecuado en el lado positivo de la alimentación.

**Paso 5** Para evitar que la bomba funcione continuamente, desconéctela con el interruptor aislante cuando nadie esté al cuidado de la embarcación/vehículo de recreo o se permita el vaciado de la alimentación de agua.

**Paso 6** Utilice conectores a prueba de agua (IP65) si la conexión se encuentra por debajo del nivel máximo de agua de la sentina.

## 11. INSTRUCCIONES DE USO

Antes del primer uso, asegúrese de que la instalación de la bomba se haya comprobado a fondo.

**Paso 1** Instale la bomba de acuerdo con las instrucciones antes indicadas (véase la sección 10. Instalación)

**Paso 2** Conecte la bomba al circuito de agua.

**Paso 3** Conecte la alimentación eléctrica de la bomba.

Para asegurar un funcionamiento normal del circuito de agua, siga la lista de comprobaciones siguiente:

- Drene el aire del sistema (para evitar problemas de cebado, bajo rendimiento, ruidos y vibraciones).
- Compruebe el cebado de la bomba (el filtro debe estar lleno de agua).
- Compruebe los procedimientos de arranque y parada de la bomba. Deben realizarse automáticamente al abrir y cerrar un grifo/llave de paso/ducha/ instalada.

**NOTA:** Compruebe regularmente si el circuito presenta fugas o conexiones sueltas.

Si surge algún problema, consulte la tabla de solución de averías, sección 14.

## 12. MANTENIMIENTO

Este equipo Whale® Watermaster® se ha diseñado para precisar de un mantenimiento mínimo.

**ADVERTENCIA:** Durante las tareas de mantenimiento, compruebe que la bomba esté desconectada del circuito eléctrico y de las tuberías.

### Consejos para un servicio óptimo

- Extraiga el cuerpo de la bomba regularmente para inspeccionar y limpiar el filtro y así asegurarse de que no exista ninguna obstrucción.
- Si la bomba no funciona a pleno rendimiento, desconecte las conexiones de electricidad y agua y compruebe si está bloqueado el dispositivo de válvulas del interior del cabezal de la bomba.

### Comprobaciones anuales

- Whale® recomienda revisar, por lo menos anualmente, si existen fugas u obstrucciones en el sistema de tuberías de la embarcación. También se recomienda una inspección eléctrica de la bomba.

## 13. SOLUCIÓN DE PROBLEMAS

Problema	Posibles Causas	Posible Solución
La bomba no funciona	No hay suministro eléctrico	Compruebe la alimentación eléctrica. Conecte los cables/limpie las conexiones
	El fusible se ha fundido	Sustituya el fusible
	Bomba defectuosa	Sustituya la bomba
	Microinterruptor defectuoso	Compruebe el funcionamiento y reemplácelo en caso de fallo (AK1317)
La bomba funciona pero no bombea agua	El agua no llega hasta la bomba / Bloqueo en las tuberías	Compruebe que el depósito del agua no esté vacío. Compruebe que el filtro no esté bloqueado y que el nivel de alimentación de agua y los ajustes de alivio de presión sean los adecuados para el sistema
	Alivio de presión de la válvula demasiado bajo	Compruebe el nivel de alimentación de agua y los ajustes de alivio de presión.
	Fugas de agua en el lado de salida de la bomba	Compruebe si hay fugas en tuberías/conectores y repárelas, si es necesario y que los tapones de drenaje del sistema estén cerrados.
La bomba funciona pero no se desconecta	Fugas de agua en el lado de salida de la bomba	Compruebe si hay fugas en tuberías/conectores y repárelas, si es necesario y que los tapones de drenaje del sistema estén cerrados.
	No llega agua suficiente a la bomba	Compruebe los niveles de alimentación de agua
Los ciclos de bombeo se activan y desactivan periódicamente cuando todos los tapones están cerrados.	Fugas de agua en el lado de salida de la bomba	Compruebe si hay fugas en tuberías/conectores y repárelas, si es necesario. Compruebe que los tapones de drenaje del sistema estén cerrados. Alivio de presión de la válvula demasiado bajo (se encuentra generalmente en la calentador o clorificador)
Funcionamiento ruidoso	La bomba aspira agua	Véase el apartado "El agua no llega hasta la bomba" (más arriba)
	Ruido producido por la vibración	Compruebe que la bomba esté instalada sobre una superficie resistente y que el bastidor de la bomba no esté en contacto con superficies duras. Instale la bomba apartada de las superficies que provoquen interferencias. Compruebe que las tuberías están correctamente fijadas
Flujo bajo	Orificio de la tubería excesivamente pequeño	El orificio ha de ser como mínimo de 10 mm
	Alimentación eléctrica de la bomba	Compruebe que el alambre de la alimentación eléctrica sea del calibre correcto, según los estándares correspondientes, para suministrar un voltaje completo a la bomba. Compruebe que la batería no esté descargada
	Tuberías/conexiones aplastadas debido a un apriete excesivo de las arandelas	Sustituya las conexiones dañadas
	Bomba demasiado alejada del depósito del agua	Es mejor situar la bomba junto al depósito del agua
	Fugas de agua en el lado de salida de la bomba	Compruebe si hay fugas en tuberías/conectores y repárelas, si es necesario y que los tapones de drenaje del sistema estén cerrados
	Filtro de la bomba atascado	Extraiga la tapa, limpie con agua y sustituya el cuerpo principal del filtro (conservar la malla filtrante para la tapa)

## 14. INVERNAJE

Si se deja que se hiele agua en el sistema, pueden producirse serios daños en las tuberías y la bomba. Los fallos de este tipo invalidarán la garantía. La mejor manera de evitar estos daños es drenar por completo el sistema de agua.

1. Vacíe el depósito de agua con la bomba o una válvula de drenaje.
2. Conecte todos los grifos (incluida la válvula de drenaje), deje que la bomba purgue el agua del sistema y desconecte la bomba.
3. Desconecte la bomba y conéctela para la purga en un recipiente adecuado. Vuelva a conectar la bomba solo cuando deba utilizarse el sistema de agua.
4. Recuerde que deben dejarse todos los grifos, incluidas las duchas, abiertos para evitar daños, excepto la ducha para cubierta Whale Twist™. Para instalaciones de





# INSTALLATIONS- OCH BRUKSANVISNING

## Whale® Watermaster® Automastisk tryckvattenpump

SV

Tack för att du har köpt en Whale®-produkt. Under mer än 40 år har Whale® varit ledande på design och tillverkning av färskvatten- och avloppssystem som bl.a.: pumpar, rör, kranar och duschar för svagspänning. Företaget och produkterna har byggt upp ett gott rykte baserat på kvalitet, tillförlitlighet och innovation kombinerat med utmärkt kundservice. För mer information om hela vårt produktutbud, gå till [www.whalepumps.com](http://www.whalepumps.com)

### 1. SPECIFIKATION

#### Marina modeller

Produktkod	FW0814(B)	FW1214(B)	FW1215(B)	FW1225(B)	FT0814B	FT1214B	FT1215B	FT1225B
Spänning (V likström)	12	12	12	24	12	12	12	24
Flödes hastighet (per min)	8 ltrs	11.5 ltrs			8 ltrs	11.5 ltrs		
IP-skyddsklass	IP65							
Rekommenderad säkringsstorlek (amp automotiv)	5	7.5	7.5	5	5	7.5	7.5	5
Max. strömförbrukning (amp)	4	6	6	3.5	4	6	6	3.5
Min. ledningstvärsnitt	1.5mm <sup>2</sup> (16 AWG)							
Vikt	1.5 kg							
Urkopplingstryck	2 bar (30psi)		3 bar (45psi)		2 bar (30psi)		3 bar (45psi)	
Inlopps-/utloppsstorlek	Whale® snabbanslutning 15mm honanslutningar				1/2" NPT-gångade anslutningar			
Material	<b>Pumphus:</b> Glasfylld polypropylen, PBT (polybutylentereftalat) <b>Fötter, membran och ventiler:</b> Monprene®, <b>Tätningar:</b> Nitrile®, <b>Fästen:</b> Rostfritt stål							
Material i kontakt med vätska	Glasfylld polypropylen, Monprene®, Nitrile®, Rostfritt stål							
Servicesatser	AK1316 – Reservhuvudsats		AK1317 – Mikrobrytarsats		AK1319 - Filter			
Max. sughöjd	3 m							
Max. utmatningshuvud	20m		30m		20m		30m	

\*\* (B) suffix indikerar pumpar finns som en bulk eller detaljhandel objekt.

#### RV-/husvagnsmodeller

Produktkod	FP0814 (B)
Spänning	12 V likström
Öppen flödes hastighet (per min)	8ltrs (2.0 GPM)
Urkopplingstryck	2 bar (30psi)
Rekommenderad säkringsstorlek	5 Amp Automotiv
Max. strömförbrukning	4 A
Vikt	1.48 kg
Inlopps-/utloppsstorlek	Whale snabbanslutning 12mm hona
Slanganslutningar	1/2" flexibel slang - WU1282. 3/8" flexibel slang - WU1280
Halvhårda anslutningar till rörledningssystem	Till Whale® snabbanslutning 12mm krävs det ingen adapter - använd 12mm halvhårda rörledningar WX7112
Material i kontakt med vätska	Glasfylld polypropylen, Monprene®, Nitrile®, Rostfritt stål
Servicesatser	AK1317 - Mikrobrytarsats AK1318 - Reservhuvudsats RV AK1320 - Filter
Taille de fusible Max	1.5mm <sup>2</sup> (16 AWG)
Max. sughöjd	3m
Max. utmatningshuvud	20m

### 2. INNEHÅLL OCH SCHEMAN

- |                         |                                                                      |
|-------------------------|----------------------------------------------------------------------|
| 1. SPECIFIKATION        | 10. INSTALLATION                                                     |
| 2. INNEHÅLL OCH SCHEMAN | 11. ANVÄNDNINGSSINSTRUKTIONER                                        |
| 3. FUNKTION             | 12. UNDERHÅLL                                                        |
| 4. FÖR ANVÄNDAREN       | 13. INFÖR VINTERN                                                    |
| 5. TILL MONTÖREN        | 14. FELSÖKNING                                                       |
| 6. ANVÄNDNING           | 15. SERVICEINFORMATION                                               |
| 7. VARNINGAR            | 16. PATENT OCH VARUMÄRKEN                                            |
| 8. DELAR                | 17. GARANTI                                                          |
| 9. EXTRA TILLBEHÖR      | 18. EG-FÖRSÄKRAN OM ÖVERENSSTÄMMELSE, STANDARDER OCH TYPGODKÄNNANDEN |



Fig. 1a Typisk marin installation  
Fig. 1b RV typisk installation  
Fig. 2 Pumpplacering

Fig. 3 Säkra pumpen  
Fig. 4 Ansluta filtret  
Fig. 5 Röranslutningar

Fig. 6 Kopplingsschema

### 3. FUNKTION

Whale Watermaster är en automatisk tryckpump avsedd för fritidsfartyg eller -fordon. Pumpen har integrerad motor och fullt skyddade ledningar för att skapa pålitlighet och ett mjukt, konsekvent flöde under användningen. Se även specifikationerna (del 1) för modellserien.

### 4. FÖR ANVÄNDAREN

Läs följande information noga före installation.

**VARNING:** Observera att garantin inte gäller om installationen är felaktig.

### 5. TILL MONTÖREN

Kontrollera att produkten är lämplig för den avsedda användningen, följ installationsanvisningarna och kontrollera att all relevant personal läser punkterna som anges nedan. Kontrollera också att driftanvisningarna överlämnas till slutanvändaren.

### 6. ANVÄNDNING

Whale® Watermaster® -serien är avsedd att installeras i fritidsbåtar eller -fordon. De är endast avsedda för användning i salt- eller sötvatten med 12 V likström- eller 24 V likströmsförsörjning. Om den ska användas i andra syften eller med andra vätskor är det användarens ansvar att kontrollera att pumpen är lämpad för den användning och då särskilt kontrollera att materialen är helt kompatibla med vätskorna som ska användas.

### 7. VARNINGAR

1. Den här pumpen är konstruerad för att försörja en båt, husvagn eller husbil med vatten. Om du har tänkt använda den för några andra syften är det ditt ansvar att se till att pumpen är lämplig för den användningen.
2. **Inte** lämplig för att pumpa brännbara vätskor som diesel, kemikalier, etc. Endast lämplig i söt- eller saltvatten.
3. Det är **absolut nödvändigt** att montera ett Whale®-filter på pumpens inloppssida för att förhindra att det kommer in smuts/skräp i pumpen (medföljer när du köper en pump från handeln).
4. För alla användningar gäller att arbetet med installation, användning och underhåll måste ske säkert. Kontrollera att elförsörjningen är avstängd och att vattensystemet är tomt före installationen. För säker montering av enheten måste monteringsytan vara minst 19 mm tjock vid montering med bifogade skruvar.
5. **INFORMATION:** Vid marin användning ska du **inte** skruva direkt i skrovet. Pumpen måste monteras på en skiljevägg eller en extraplatta.
6. **OBS:** Pumpen är **inte** avsedd för permanent användning. Maximal arbetscykel < 33%
7. **VARNING:** Brandrisk. Ledningsdragningen måste uppfylla gällande elektriska standarder och förses med en säkring eller skydds brytare med lämplig styrka. Felaktig ledningsdragnings kan orsaka en brand och leda till skador eller dödsfall. Stäng av spänningen inför anslutningsarbetet. Informationen om ledningsdragningen är endast avsedd som guide. För mer information, se USCG-, ABYC- och ISO-bestämmelser för användning i båtar och ledningstvärsnitt, kontakter och säkringar.



### 8. DELLER

- 1 st Whale® Watermaster®
- 1 st. Skruvset (endast återförsäljning)
- 1 st Whale®-filter (endast återförsäljning)
- 2 st. WX1587B - 1/2" gänganslutningar (endast återförsäljning)
- 2 st. WX1584B - 1/2" anslutningar med hullingar (endast återförsäljning)

### 9. EXTRA TILLBEHÖR

- AK1316 Reservhuvudsats Marina
- AK1317 Mikrobrytarsats
- AK1318 Reservhuvudsats RV
- WF1530 Whale Aquasource Clear Water Filter 15mm
- WF1230 Whale Aquasource Clear Water Filter 12mm

### 10. INSTALLATION

**INFORMATION:** Felaktig installation upphäver garantin  
Förberedelse - Koppla alltid ur strömkällorna före installation..

Watermaster® är avsedd att användas på följande sätt:

I fritidsbåtar (fig. 1a)

I RV-/husvagnsfordon (fig. 1b)

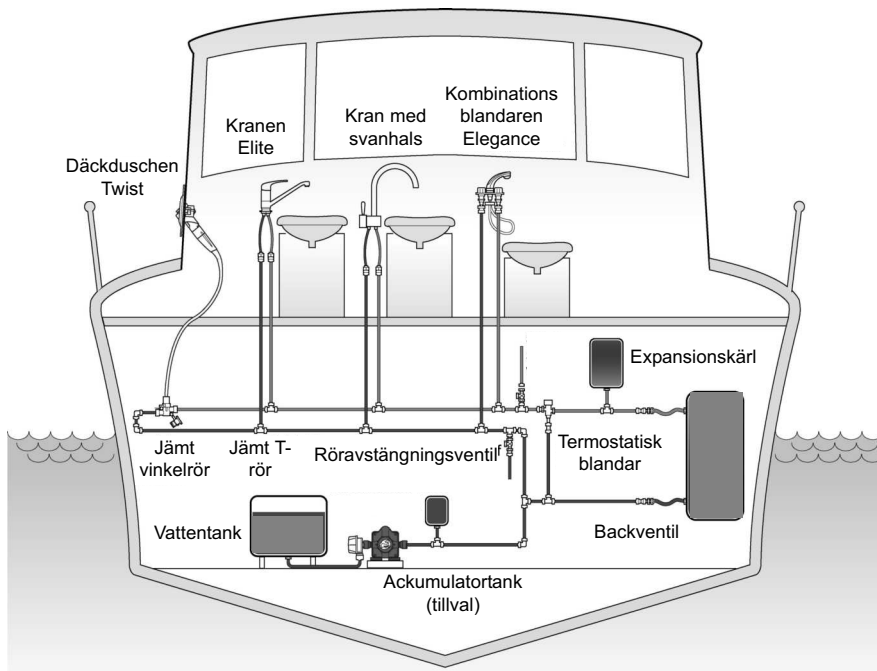


Fig. 1a Typisk installation i ett marint system (illustrationen är endast vägledning)

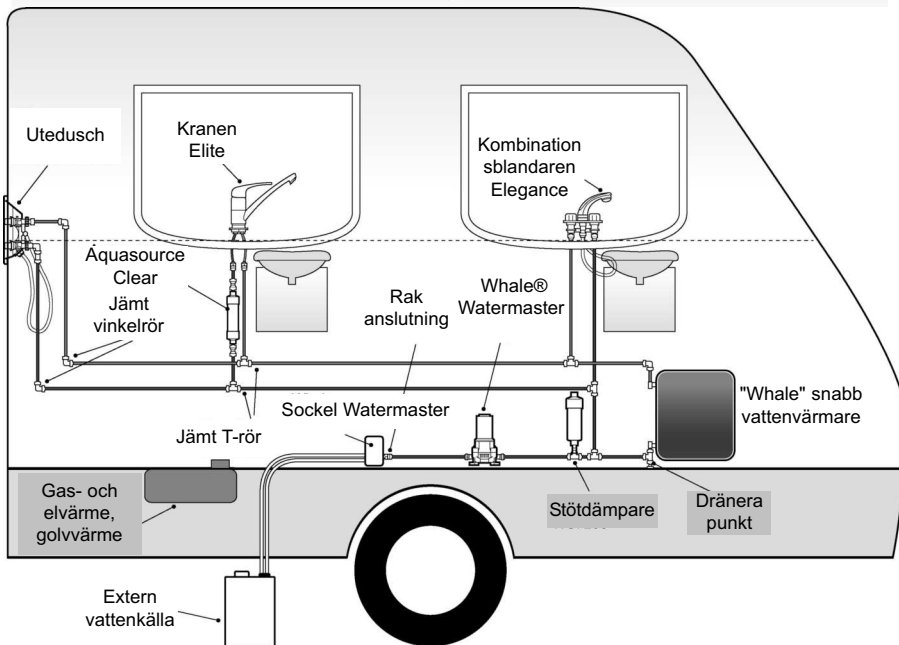


Fig. 1b Typisk installation i ett RV system (illustrationen är endast vägledning)

## 10.i Monteringsinstruktioner

**Steg 1** Hitta en torr plats med tillräcklig ventilation som inte är mer än 3 m (9 ft) över vattentanken. Vid normal användning ska du se till att pumpen inte kan sänkas ner i vattnet.

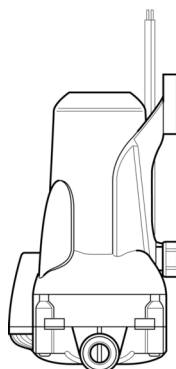
**Steg 2** Se till att pumpen är monterad fri från hinder och är åtkomlig för underhåll.

**Steg 3** Vid marin användning så kan pumpen monteras horisontellt eller vertikalt. Vid RV-/husvagnsanvändning så måste pumpen monteras vertikalt. Vi rekommenderar att pumphuvudet monteras under motornivån (fig. 2). För råd om din specifika installation, vänligen kontakta Whale®:s kundtjänst.

**Steg 4** Fötternas positioner kan justeras för att möjliggöra eftermontering. Använd 3 rostfria stålskruvar och brickor (följer med pump vid köp från återförsäljare) för att fästa pumpen till den solida ytan och stötta pumpen ordentlig. (Se fig. 3).

Fig 2 - Översikt över rekommenderad pumpmontering

Marina modeller



RV-/husvagnsmodeller

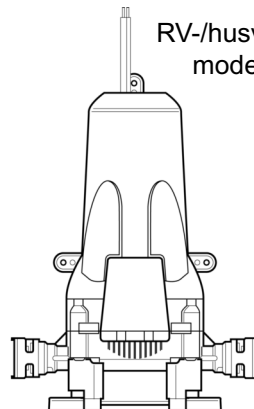
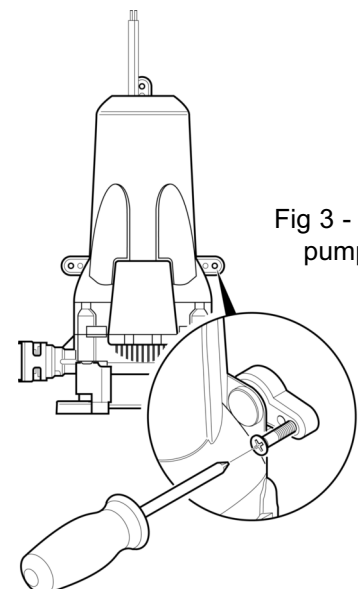


Fig 3 - Säkra pumpen



## 10.ii Rördragning

- Kontrollera pumpens flödesriktning (markerad på pumphuset) och kontrollera att det bifogade filtret (följer med pumpar som köpts från återförsäljare) är monterat på pumphuvudets inlopp (fig. 4).
- Använd aldrig rörtätningssmassa eller tätningstejp på gängande kopplingar eftersom detta kan tränga in i pumpen och orsaka en defekt.

Fig 4 - Fäst filtret till pumpinloppet

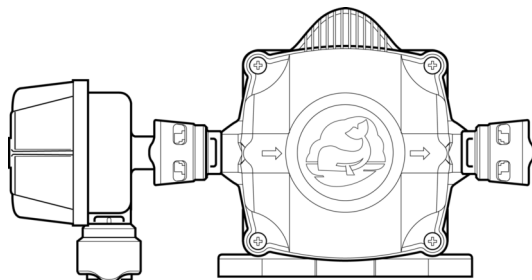
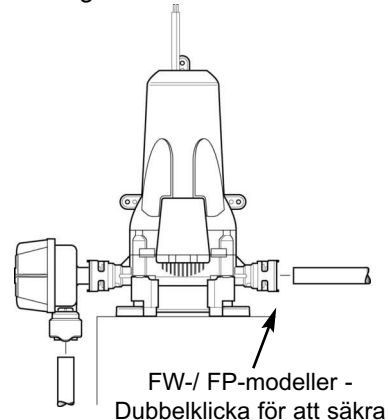


Fig 5 - Fäst rörverket



- Till FW- eller FP-modeller ska du dubbelklicka dig in i snabbanslutningsanslutningarna (fig. 5).
- För FT-modeller följer det med en 1/2"-hane som är NPT-gängad för användning tillsammans med en NPT-hona för enkel anslutning till ditt befintliga rörsystem.
- För enheter från återförsäljare följer även 1/2"-anslutningar som är gängade eller har hullingar med för alternativ installation. Dessa kan enkelt anslutas på snabbanslutningshuvudet

## 10.iii Elektrisk ledningsdragning



**WARNING:** Brandrisk. Ledningsdragningen måste uppfylla tillämpliga elstandarder och förses med en säkring eller skyddsbrytare med rätt styrka. (Se specifikationstabellen för säkringar - avsnitt 1).

**WARNING:** Felaktig ledningsdragning kan orsaka en brand och leda till skador eller dödsfall.

**INFORMATION:** Stäng av spänningen inför anslutningsarbetet. Informationen om ledningsdragningen är endast avsedd som guide. För mer information, se USCG-, ABYC- och ISO-bestämmelser för användning i båtar och ledningstvärnsnitt, kontakter och säkringar.

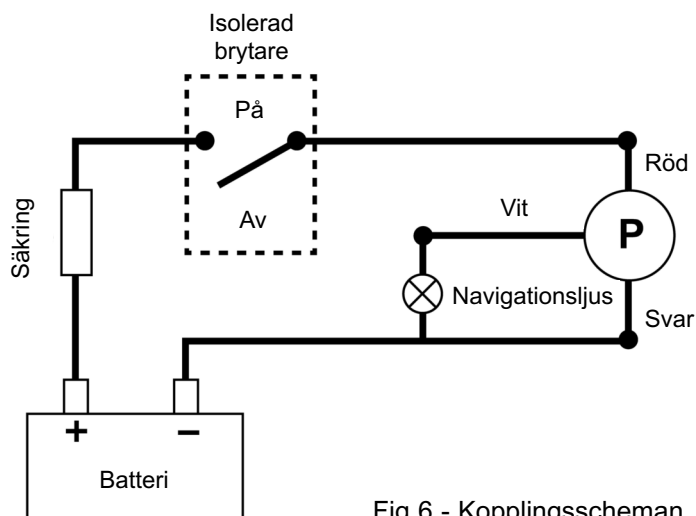


Fig 6 - Kopplingsscheman

- Steg 1** Använd den säkring som anges på förpackningen.
- Steg 2** Anslut den röda ledningen till positiv pol och den svarta ledningen till negativ pol.
- Steg 3** Den vita ledningen kan anslutas till ett navigationsljus för att indikera när den används.
- Steg 4** Montera en isolerad brytare med lämplig strömclass på plussidan av försörjningen.
- Steg 5** För att förhindra att pumpen arbetar permanent så ska du stänga av isoleringsbrytaren när båten/fordonet lämnas oövervakat eller när vatten försörjningen har tömts.
- Steg 6** Använd vattensäkra anslutningar (IP65) om anslutningen är under det maximala länsvattnenivån.

## 11. ANVÄNDNINGSPROCEDUR

Kontrollera att pumpinstallationen har testats noga före första användningen.

- Steg 1** Installera pumpen utifrån informationen ovan (se avsnitt 10. Installation).
- Steg 2** Anslut pumpen till vattenkretsen.
- Steg 3** Anslut spänningen till pumpen.

Följ kontrollistan nedan för att kontrollera att vattensystemet fungerar korrekt:

- Avlufta kretsen (för att förhindra luftbubblor, försämrad effekt, buller och vibrationer).
- Kontrollera pumpens flöde (filtret ska vara fyllt med vatten).
- Kontrollera att pumpen startar och stoppar. Detta ska ske automatiskt när man öppnar och stänger en kran/dusch/akterdusch.

**INFORMATION:** Kontrollera regelbundet kretsen med avseende på läckor och dåliga kopplingar. Se felsökningstabellen i avsnitt 14 vid problem.

## 12. UNDERHÅLL

Whale® Watermaster® är utformad för minimalt underhåll

**WARNING:** Kontrollera att pumpen är fränkopplad från elförsörjning och rördragningen vid underhåll.

### För optimal drift

- Kontrollera att det inte finns något skräp i pumpen
- Om pumpen inte fungerar med full effekt så ska du lossa elförsörjningen och rördragningen och kontrollera om någonting blockerar ventilenheten i pumphuvudet.

### Årliga kontroller

- Whale® rekommenderar att båtens rörsystem kontrolleras årligen med avseende på läckor och igensättningar. Även en kontroll av pumpens

## 13. INFÖR VINTERN

Om vattnet fryser i systemet kan rören och pumpen skadas. Fel av den här typen gör garantin ogiltig. Töm därför vattensystemet helt för att undvika skador.

1. Töm tanken med antingen pumpen eller en dräneringsventil.
2. Öppna alla kranar (inklusive dräneringsventilen) och låt pumpen pumpa ut vattnet ur systemet. Stäng därefter av pumpen.
3. Lossa pumpen och slå på den för att tömma vattnet i en lämplig behållare. Anslut inte pumpen förrän vattensystemet ska användas.
4. Lämna alla kranar och duschar öppna för att undvika skador (förutom däckduschen Whale Twist™). För RV-/husvagnsinstallationer, vänligen se [www.whalepumps.com](http://www.whalepumps.com) för information om hur du tömmer ditt vattensystem inför vintern.



## 14. FELSÖKNING

Problem	Möjliga Orsaker	Tänkbar Lösning
Pumpen går inte.	Pumpen har ingen spänning.	Kontrollera spänningsförsörjningen. Anslut kablar/rengör anslutningar.
	Säkringen har gått	Byt säkringen
	Pumpen är defekt	Byt ut pumpen
	Mikrobrytaren är defekt	Kontrollera driften och byt ut om den är defekt (AK1317)
Pumpen går men matar inget vatten	Pumpen får inget vatten. / Blockering i röret	Kontrollera att vattentanken inte är tom. Kontrollera att filtret inte är igensatt.. Kontrollera att vattenförsörjningsnivån och tryckavlastningsinställningarna är lämpliga för systemet
	Säkerhetsventilen är för lågt inställd.	Kontrollera vattennivån och säkerhetsventilens inställning.
	Vattenläckage vid pumpens utlopp.	Kontrollera om röret/rörkopplingar läcker och reparera dem. Kontrollera att systemets dräneringspluggar är stängda.
Pumpen går men kan inte stängas av	Vattenläckage vid pumpens utlopp.	Kontrollera om röret/rörkopplingar läcker och reparera dem. Kontrollera att systemets dräneringspluggar är stängda..
	Pumpen får inte tillräckligt med vatten	Kontrollera vattenförsörjningsnivån
Pumpen startas och stoppas i cykler när alla kranar är stängda.	Vattenläckage vid pumpens utlopp.	Kontrollera om röret/rörkopplingar läcker och reparera dem. Kontrollera att systemets dräneringspluggar är stängda. Systemets tryckavlastningsventil är för låg (vanligen placerad vid värmeaggregatet/varmvattenberedaren)
Buller vid drift.	Pumpen drar in luft.	Se 'Pumpen får inget vatten' (ovan).
	Buller orsakat av vibration.	Kontrollera att pumpen sitter korrekt på en solid yta. Kontrollera att pumphuset inte ligger emot hårda ytor. Flytta den från störande ytor. Kontrollera att röret är korrekt monterat.
Lågt flöde	Diametern i röretets koppling är för liten.	Se till att diametern är min. 10 mm.
	Spänningsförsörjningen till pumpen	Kontrollera att spänningsförsörjningen till pumpen använder rätt ledningstvärnsnitt och stämmer överens med relevanta standarder så att pumpen får full spänningen. Kontrollera att batteriet inte är urladdat
	Röret/rörkopplingarna krossade p.g.a. av för hårt åtdragna slangklämmor	Byt ut skadade kopplingar.
	Pumpen är för långt från vattentanken.	Pumpen bör monteras bredvid vattentanken.
	Vattenläckage vid pumpens utlopp.	Kontrollera om röret/rörkopplingar läcker och reparera dem. Kontrollera att systemets dräneringspluggar är stängda
	Pumpfiltret igensatt.	Ta bort locket, skölj och byt ut filterkroppen (spara filternätet för locket).

## 15. SERVICEINFORMATION

**Whale (Munster Simms Engineering Ltd)**, Old Belfast Road, Bangor, N. Ireland BT19 1LT  
Tel: +44 (0)28 9127 0531 Fax: +44 (0)28 9146 6421 Email: info@whalepumps.com

**Whale Seaward Inc**, 91 Manchester Valley Road, Manchester Center, VT 05255  
Tel: 1 802 367 1091 Fax: 1 802 367 1095 Email: usasales@whalepumps.com

Följande servicesatser kan levereras för Whale® Watermaster®:

AK1316 - Reservdelssats Marin  
AK1317 - Mikrobrytarsats  
AK1318 - Reservdelssats  
RV AK1319 - Reservfilter marin  
AK1320 - Reservfilter RV

## 16. PATENT OCH VARUMÄRKEN

Whale® och Watermaster® är registrerade varumärken för Munster Simms Engineering Limited trading som Whale. Whale® Watermaster® automatisk tryckpump har följande patentsökning: 1214335.0

Whale® Watermaster® skyddas av följande patent:

**USA:** 6,840,745      **Kanada:** 2 380 465      **Storbritannien:** GB 1 222 392      **Frankrike:** FR 1 222 392  
**Italien:** IT 1 222 392      **Tyskland:** DE 60018089.1(EP(DE) 1 222 392)

## 17. GARANTI

Denna produkt från Whale ® har 2 års garanti. Se bifogat dokument för information om garantins begränsningar.

## 18. DECLARATION DE CONFORMITE, STANDARDS, CERTIFICATIONS

Produkten uppfyller alla relevanta EU-direktiv och standarder. Kontrollera Whale® för mer information vid behov.

### Tillverkarens förklaran

Vi förklarar härmed, som ensamt ansvarig, att bifogad utrustning uppfyller kraven i följande EG-direktiv.

**Direktivet om elektromagnetisk kompatibilitet 2004/108/EG** i medlemsstaternas lagharmonisering gällande elektromagnetisk kompatibilitet.

**CE-märkt:** 30/05/2012

### Grund för förklaran om överensstämmelse

Utrustningen ovan uppfyller skyddskraven i direktivet om elektromagnetisk kompatibilitet

### Tillämpade standarder

ISO10133:2000	Klenspänningsinstallationer för likström
EN55014-1:2006	EMC-störning
EN55014-2:1997+A2:2008	EMC-immunitet
EN28846 :1993	Övervakning av tändkällor
ABYC-H23	Installation av dricksvatten



Datum: 30/05/2012  
Position: Teknisk chef

# ASENNUS- JA KÄYTTÖOPAS

## Automaattinen Painepumppu - Whale® Watermaster®

**FN**

Kiitos, että otit tämän Whale®-tuotteen. Whale® on suunnitellut ja valmistanut juomavesi- ja jätevesijärjestelmiä jo yli 40 vuoden kokemuksella. Ratkaisujamme ovat mm. käsi- ja sähkökäyttöiset pumput, putkistot, hanat ja suihkut. Yritys ja sen valmistamat tuotteet tunnetaan laadun, luotettavuuden ja innovatiivisten ratkaisujen lisäksi myös erinomaisesta asiakaspalvelustaan. Lisätietoja laajasta tuotevalikoimastamme löytyy osoitteesta [www.whalepumps.com](http://www.whalepumps.com)

### 1. TEKNISET TIEDOT

#### Veneisiin ja aluksiin tarkoitetut mallit

Tuotekoodi	FW0814(B)	FW1214(B)	FW1215(B)	FW1225(B)	FT0814B	FT1214B	FT1215B	FT1225B
Jännite (V d.c.)	12	12	12	24	12	12	12	24
Virtausnopeus (minuutissa)	8 ltrs	11.5 ltrs			8 ltrs	11.5 ltrs		
IP-suojaluokitus	IP65							
Suosittelun sulakekoko (autosulakkeen ampeerit)	5	7.5	7.5	5	5	7.5	7.5	5
Maksimi virrankulutus (amp)	4	6	6	3.5	4	6	6	3.5
Pienin johtopaksuus	1.5mm <sup>2</sup> (16 AWG)							
Paino	1.5 kg							
Katkaisupaine	2 bar (30psi)		3 bar (45psi)		2 bar (30psi)		3 bar (45psi)	
Tulon / lähdön koko	Whale® Quick Connect 15 mm naarasliittimet				1/2" NPT-kierreltiittimet			
Materiaalit	<b>Pumpun runko:</b> Lasitäytteinen polypropeeni, PBT (polybuteenitereftalaatti) <b>Tukijalat, kalvo ja venttiilit:</b> Monprene®, <b>Tiivisteet:</b> Nitrile®, <b>Kiinnikkeet:</b> Ruostumatonta terästä							
Nestekosketuksessa olevat materiaalit	Lasitäytteinen polypropeeni, Monprene®, Nitrile®, Ruostumatonta terästä							
Huoltosarjat	AK1316 – Pumpun pääty			AK1317 - Mikrokytkinsarja		AK1319 - Suodatin		
Maksimi imukorkeus	3 m							
Maksimi antopaine	20m		30m		20m		30m	

\* (B) suffiksi viittaa pumppuja on saatavana irtotavarana tai vähittäiskaupan kohde.

#### Asuntoautoihin ja -vaunuihin tarkoitetut mallit

Tuotekoodi	FP0814 (B)
Jännite (V d.c.)	12
Virtausnopeus (minuutissa)	8ltrs (2.0 GPM)
Katkaisupaine	2 bar (30psi)
Suosittelun sulakekoko	5 Autosulakkeen Ampeerit
Maksimi virrankulutus	4 amp
Paino	1.48 kg
Tulon / lähdön koko	Whale Quick Connect 12 mm naarasliittimet
Letkuliitännät	1/2" joustava letku - WU1282. 3/8" joustava letku - WU1280
Putkistojärjestelmien liitännät	Whale® Quick Connect 12 mm, liittimiin ei tarvita sovittimia - käytä 12 mm taipuisaa putkistoa WX7112
Nestekosketuksessa olevat materiaalit	Lasitäytteinen polypropeeni, Monprene®, Nitrile®, Ruostumatonta terästä
Huoltosarjat	AK1317 - Mikrokytkinsarja    AK1318 - Varapääsarja    AK1320 - Suodatin
Maksimi johtopaksuus	1.5mm <sup>2</sup> (16 AWG)
Maksimi imukorkeus	3m (9 ft)
Maksimi antopaine	20m (66ft)

### 2. KÄYTTÖOPPAAN SISÄLTÖ

- |                                   |                                                                                |
|-----------------------------------|--------------------------------------------------------------------------------|
| 1. TEKNISET TIEDOT                | 10. ASENNUS                                                                    |
| 2. KÄYTTÖOPPAAN SISÄLTÖ           | 11. KÄYTTÖOHJEET                                                               |
| 3. TOIMINTAPERIAATTEET            | 12. HUOLTO                                                                     |
| 4. KÄYTTÄJÄLLE                    | 13. VIANETSINTÄ                                                                |
| 5. ASENTAJALLE                    | 14. TALVISÄILYTYS                                                              |
| 6. KÄYTTÖTAPA                     | 15. HUOLTOTIEDOT                                                               |
| 7. VAROITUKSET                    | 16. PATENTIT JA TAVARAMERKIT                                                   |
| 8. OSALUETTELO                    | 17. TAKUU                                                                      |
| 9. SAATAVANA OLEVAT LISÄVARUSTEET | 18. VAATIMUSTENMUKAISUUSVAKUUTUS (EU:N VAATIMUKSET, STANDARDIT JA HYVÄKSYNNÄT) |

Kuva 1a Tavallinen asennustapa veneissä ja aluksissa  
Kuva 1b Tavallinen asennustapa asuntoautoissa  
Kuva 2 Pumpun asennusasento

Kuva 3 Pumpun kiinnitys  
Kuva 4 Suodattimen liittäminen  
Kuva 5 Putkistoliitännät

Kuva. 6 KytKentäkaaviot

### 3. TOIMINTAPERIAATTEET

Whale Watermaster on automaattinen painepumppu, joka on suunniteltu vapaa-ajan aluksiin ja asuntoautoihin. Pumpussa on valmiina tarkkuusmoottorit ja eristetyt kaapelit, joilla varmistetaan luotettava toiminta ja tasainen, jatkuva virtaus käytön aikana. Lisätietoja on mallikohtaisissa teknisissä tiedoissa (osa 1).

### 4. KÄYTTÄJÄLLE

Lue seuraavat ohjeet huolellisesti ennen asennusta.

**VAROITUS:** Vääränlainen asennus saattaa mitätöidä takuun.

### 5. ASENTAJALLE

Tarkista, että tuote sopii käyttötarkoitukseen. Noudata näitä asennusohjeita ja varmista, että kaikki käyttäjät lukevat alla olevat ohjeet. Toimita nämä käyttöohjeet myös tuotteen loppukäyttäjälle.

### 6. KÄYTTÖTAPA

Automaattisten Whale® Watermaster® -painepumppujen sarja on suunniteltu asennettavaksi vapaa-ajan aluksiin tai asuntoautoihin. Sitä saa käyttää ainoastaan meriveden tai juomaveden pumppaamiseen joko 12 V tai 24 V DC:n sähköverkoissa. Jos pumppua aiotaan käyttää muuhun tarkoitukseen tai muunlaisen nesteiden pumppaamiseen, käyttäjän velvollisuutena on varmistaa, että pumppu sopii käyttötarkoitukseen, ja etenkin että pumpun materiaalit kestävät näitä nesteitä.

### 7. VAROITUKSET

1. Tämä pumppu on tarkoitettu veden pumppaamiseen veneissä, asuntovaunuissa ja -autoissa. Jos sitä aiotaan käyttää muuhun tarkoitukseen, käyttäjän vastuulla on varmistaa sopivuus käyttötarkoitukseen.
2. Tätä pumppua **ei ole** tarkoitettu palavien nesteiden, dieselin, kemikaalien yms. pumppaamiseen. Sopii vain juomaveden ja meriveden pumppaamiseen.
3. Whale®-suodatin **on ehdottomasti** asennettava pumpun imupuolelle, jotta se estää lian/ epäpuhtauksien pääsyn pumpun sisään (sisältyy toimitukseen)
4. Kaikissa käyttötavoissa on tärkeää varmistaa, että järjestelmän asennuksessa, käytössä ja huollossa noudatetaan turvallisia työtapoja. Ennen asennusta varmista, että sähkövirta on kytketty pois päältä ja vesijärjestelmä on tyhjennetty. Kun yksikkö kiinnitetään toimitukseen kuuluvilla ruuveilla, asennusalustan on oltava vähintään 19 mm paksu, jotta asennus on tukeva.
5. **TÄRKEÄÄ:** Veneissä ja aluksissa pumppua ei saa ruuvata suoraan runkoon (pohjaan). Asenna pumppu laipioon tai erilliselle asennuslevylle.
6. **TÄRKEÄÄ:** Pumppu ei ole tarkoitettu jatkuvaan käyttöön. Maksimi käyttöaste < 33 %
7. **VAROITUS:** Palovaara. Sähkökytkentöjen on vastattava voimassa olevia standardeja ja niissä on oltava oikein mitoitettut sulakkeet ja katkaisijat. Väärä johdotus saattaa aiheuttaa tulipalon, joka voi johtaa vammautumiseen tai kuolemaan. Kytke virta pois päältä kytkentöjen ajaksi. Kytkentämalli on suuntaa-antava ehdotus. Katso lisätietoja veneilyyn liittyvistä USCG-, ABYC- ja Iso-määräyksistä koskien sähkö- johtoja, liittimiä ja sulakkeita



### 8. OSALUETTELO

1 kpl	Whale® Watermaster®
1 kpl	Ruuvisarja (vain jälleenmyynti pakkauksissa)
1 kpl	Whale®-suodatin (vain jälleenmyynti pakkauksissa)
2 kpl	WX1587B - 1/2" kierrelitimet (vain jälleenmyynti pakkauksissa)
2 kpl	WX1584B - 1/2" piikkiliitimet (vain jälleenmyynti pakkauksissa)

### 9. SAATAVANA OLEVAT LISÄVARUSTEET

AK1316	Pumpun pesä - Veneisiin
AK1317	Mikrokytkinsarja
AK1318	Pumpun pesä - Asuntoautoihin
WF1530	Whale Aquasource Vedensuodatin 15mm
WF1230	Whale Aquasource Vedensuodatin 12mm

### 10. ASENNUS

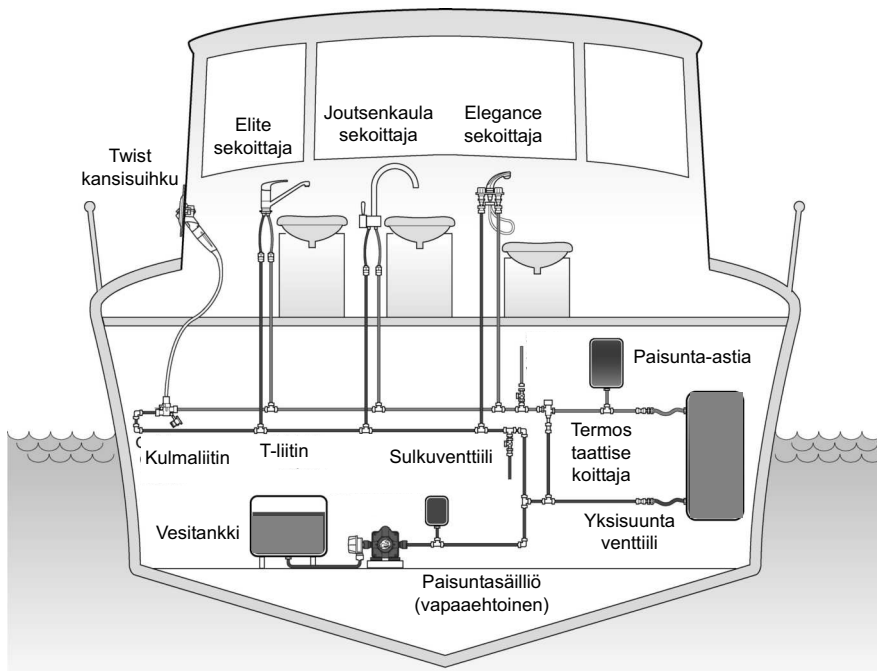
**TÄRKEÄÄ:** Jos laite on asennettu virheellisesti, takuu raukeaa.

Valmistelut: Irrota virtalähde aina ennen asennusta

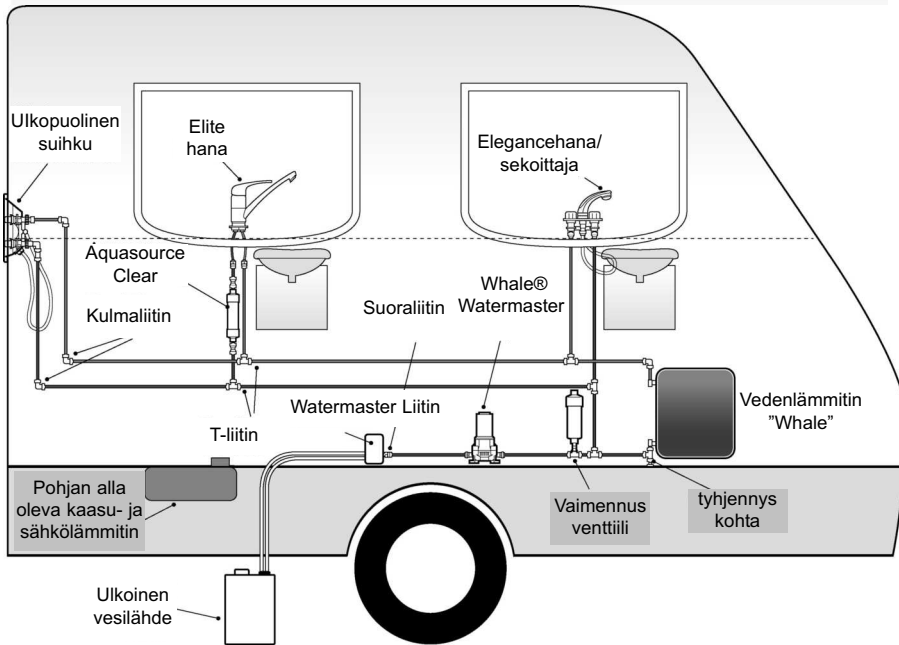
Watermaster® on tarkoitettu käytettäväksi seuraavissa sovelluksissa:

Vapaa-ajan aluksissa (kuva 1a)

Asuntoautoissa/-vaunuissa (kuva 1b)



Kuva 1a Tavallinen asennustapa venejärjestelmiin (kuva on vain suuntaa antava).



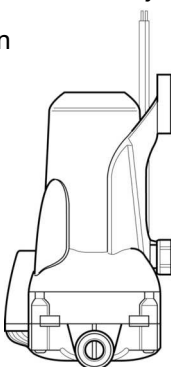
Kuva 1b Tavallinen asennustapa asuntoautoihin (kuva on vain suuntaa antava).

### 10.i Asennusohjeet

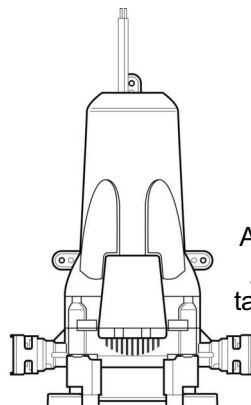
- 1 vaihe** Sijoita pumppu kuivaan paikkaan, jossa on riittävä tuuletus, ja joka on enintään 3 m (9 ft) vesisäiliön yläpuolella. Varmista että pumpun sijoitus on sellainen, ettei se missään vaiheessa voi jäädä veden peittämäksi.
- 2 vaihe** Asenna pumppu esteettömään paikkaan, jossa se on helppo huoltaa.
- 3 vaihe** Veneissä ja aluksissa pumppu voidaan asentaa vaaka- tai pystysuoraan. Asuntoautossa/-vaunussa pumppu on ehdottomasti asennettava pystysuoraan. Suosittelemme asentamaan pumpun siten että pumpun pesä jää moottorin alapuolelle (kuva 2). Lisätietoja asennuksista saat Whale®-asiakastuesta.
- 4 vaihe** Tukijalkoja asentoa voidaan säätää helpottamaan uusioasennuksia. Kiinnitä pumppu paikalleen, tukevalle alustalle, mukana seuraavilla ruostumattomilla teräsruuveilla ja prikoilla. Katso kuva 3.

Kuva 2 - Suositeltu pumpun asennussuunta

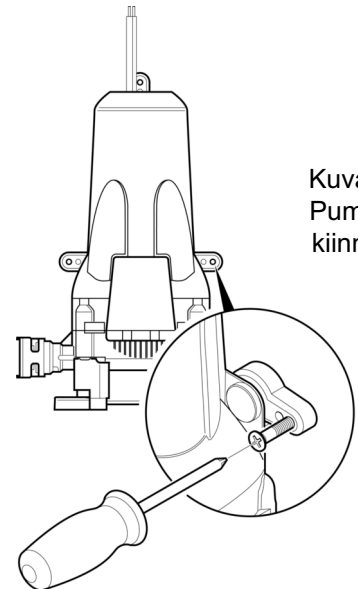
Veneisiin ja aluksiin tarkoitetut mallit



Asuntoautoihin ja -vaunuihin tarkoitetut mallit



Kuva 3 - Pumpun kiinnitys

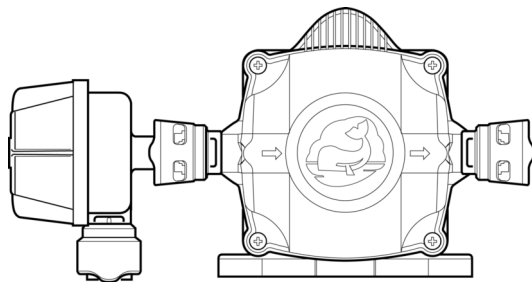




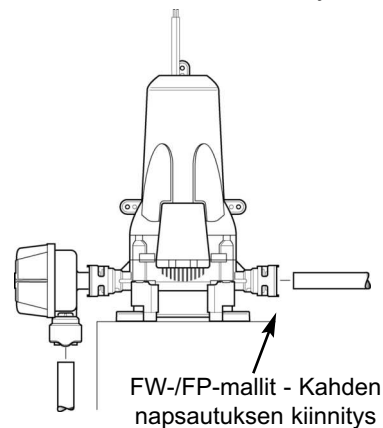
## 10.ii Putkitus

- Tarkista pumpun virtaussuunta (merkintä pumpun rungossa) ja varmista, että (toimitukseen sisältyvä) suodatin on kiinnitetty pumpun imupuolen liittimeen.(kuva4).
- Jos letkuliitokset on toteutettu kierteellä, älä koskaan käytä näissä tiivisteliimaa tai eristysteippiä, sillä ne saattavat joutua pumppuun ja vioittaa pumpua.

Kuva 4 - Suodattimen kiinnitys pumpun tuloon



Kuva 5 - Putkiston kiinnitys



- FW- ja FP-malleissa putken kiinnitys tehdään työntämällä putkea Quick Connect liittimeen niin että työnnettäessä liittimeessä "tuntuu" kaksi napsahdusta (kuva 5).
- FT-malleissa on 1/2" NPT-urosliereliitin, joka on helppo kiinnittää putkiston NPT-naarasliittimeen.
- Jälleenmyynti pakkauksen mukana on myös 1/2" kierre- ja piikkiliittimet vaihtoehtoista asennusta varten. Ne on helppo kytkeä pumpun pikaliitinpäähän.

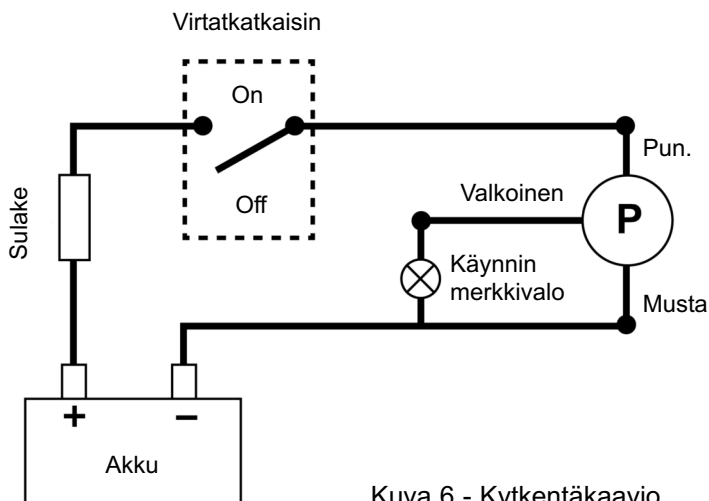


## 10.iii Sähkökytkennät

**VAROITUS:** Palovaara. Sähkökytkentöjen on vastattava voimassa olevia standardeja ja niissä on oltava oikein mitoitettu sulake ja katkaisija. (Katso sulakekoot teknisten tietojen taulukosta - osa 1).

**VAROITUS:** Väärä kytkentä saattaa aiheuttaa tulipalon, joka voi johtaa vammautumiseen tai kuolemaan.

**TÄRKEÄÄ:** Irrota virtalähde ennen kytkentöjen tekemistä. Kytkentämalli on suuntaa-antava ehdotus. Katso lisätietoja veneilyyn liittyvistä USCG-, ABYC- ja Iso-määräyksistä koskien sähkö- johtoja, liittimiä ja sulakkeita.



Kuva 6 - Kytkentäkaavio

- 1. vaihe** Käytä moottorin tyyppikilvessä mainittua sulaketta.
- 2. vaihe** Kytke punainen johto plusnapaan ja musta johto miinusnapaan
- 3. vaihe** Valkoinen johto voidaan kytkeä merkkivaloon, joka kertoo milloin laite on käytössä.
- 4. vaihe** Asenna sopiva, virtakuorman kestävä, katkaisin plusjohtimeen.
- 5. vaihe** Estä pumpun jatkuva käynti sammuttamalla pumpu katkaisimesta kun aluksessa/autossa ei ole ketään tai kun vesitankki on tyhjä.
- 6. vaihe** Käytä vesitiiviitä (IP65) liittimiä, jos liitäntä on pilssiveden maksimitason alapuolella.

## 11. KÄYTTÖOHJEET

Tarkista pumpun asennus huolellisesti ennen ensimmäistä käyttökertaa.

- 1. vaihe** Asenna pumpu edellä olevien ohjeiden mukaan (katso kohta 10. Asennus).
- 2. vaihe** Kytke pumpu vesikiertoon.
- 3. vaihe** Kytke pumpuun virta

Varmista tämän tarkistuslistan avulla, että vesikierto toimii oikein:

- Ilmaa vesikierto (tällä vältetään ongelmat siemenvedessä ja suorituskyvyssä, meluisa käyttöäni ja tärinä).
- Tarkista, että pumpussa on siemenvettä (suodattimen on oltava täynnä vettä).
- Tarkista, että pumpu käynnistyy ja sammuu. Tämän onnistuu avaamalla ja sulkemalla mikä tahansa veneessä oleva hana.

**TÄRKEÄÄ:** Tarkista säännöllisesti, että asennuksessa ei ole vuotoja tai vääriä kytkentöjä.

Jos ongelmia esiintyy, katso lisätietoja vianetsintätaulukosta osassa 14.

## 12. HUOLTO

Tämä Whale® Watermaster® -pumppu vaatii vain vähän huoltotoimenpiteitä.

**VAROITUS:** Irrota pumppu virtalähteestä ja letkustosta huollon ajaksi.

### Suorituskyvyn parantaminen

- Tarkista, että pumpussa ei ole likaa.
- Jos pumppu ei toimi täydellä teholla, Irrota pumppu virtalähteestä ja letkustosta ja tarkista, ovatko pumpun pesän sisällä olevat venttiilit tukossa.

### Vuositarkistus

- Whale® suosittelee, että aluksen letkusto tarkistetaan joka vuosi mahdollisten vuotojen ja tukkeutumien löytämiseksi. Myös pumppu kannattaa tarkistaa.

## 13. TALVISÄILYTYS

Jos järjestelmässä oleva vesi jäätyy, putkisto ja pumppu saattavat vaurioitua pahoin. Tämän tyyppiset viat mitätöivät takuun. Vältä pakkasvauriot tyhjentämällä vesijärjestelmä kokonaan.

1. Tyhjennä säiliö joko pumpulla tai erillisestä tyhjennysventtiilistä.
2. Avaa kaikki hanat (myös tyhjennysventtiili), ja anna pumpun tyhjentää vesi järjestelmästä. Sammuta pumppu.
3. Irrota pumppu ja käynnistä se, jotta saat loputkin vedestä pois pumpusta. Kytke pumppu takaisin vasta sitten, kun vesijärjestelmää aiotaan käyttää.
4. Muista jättää kaikki hanat ja suihkut auki, jotta ne eivät vaurioidu. Tämä ei koske Whale Twist-suihkua. Osoitteessa [www.whalepumps.com](http://www.whalepumps.com) on lisätietoja asuntoautojen/-vaunujen vesijärjestelmän tyhjentämisestä talvea varten.



## 14. VIANETSINTÄ

Ongelma	Mahdolliset Syyt	Kokeile Tätä
Pumppu ei toimi	Pumppuun ei tule virtaa	Tarkista virransyöttö. Kiinnitä johdot / puhdista kytkennät.
	Sulake on palanut	Vaihda sulake
	Pumpussa on vika	Vaihda pumppu
	Mikrokytkimessä on vika	Tarkista toiminta ja vaihda viallinen kytkin (AK1317)
Pumppu toimii, mutta vettä ei tule	Pumppuun ei pääse vettä / tukos putkistossa	Tarkista, onko vesisäiliö tyhjä. Tarkista, onko suodatin tukossa. Tarkista, että kaikki säiliön ja pumpun väliset liitännät ovat tiukasti paikoillaan – vuodot estävät siemenveden pääsyn pumppuun.
	Painekeytkimen paine on liian matala	Tarkista vedensyötön ja painekeytkimen asetukset.
	Vesi vuotaa pumpun ulkopuolella	Tarkista, onko putkistossa/liittimissä vuotoja. Tarkista, että järjestelmän tyhjennystulpat ovat kiinni.
Pumppu toimii, mutta ei sammu	Vesi vuotaa pumpun ulkopuolella	Tarkista, onko putkistossa/liittimissä vuotoja. Tarkista, että järjestelmän tyhjennystulpat ovat kiinni.
	Pumppuun ei pääse vettä	Tarkista vedensyötön taso
Pumppu käy ja sammuu jaksoittain, kun kaikki hanat ovat kiinni.	Vesi vuotaa pumpun ulkopuolella	Tarkista, onko putkistossa/liittimissä vuotoja. Tarkista, että järjestelmän tyhjennystulpat ovat kiinni. Järjestelmän paineenalennusventtiili paineenkesto on liian pieni (sijaitsee yleensä lämminvesivaraajassa).
Pumppu toimii kovaäänisesti	Pumppu vetää ilmaa	Katso kohta "Pumppuun ei pääse vettä" (edellä).
	Pumppu värisee kovaäänisesti	Tarkista, että pumppu on kiinnitetty tukevaan alustaan. Tarkista, ettei pumpun runko ole kosketuksissa kovaan pintaan. Asenna pumppu sopivalle alustalle. Tarkista, että putkisto on kiinnitetty tukevasti.
Pieni virtaus	Putkistoliitännän halkaisija on liian pieni	Halkaisijan on oltava vähintään 10 mm.
	Pumppuun ei tule virtaa.	Tarkista, että pumpun virransyötössä on oikeanlainen ja asiaankuuluvien standardien mukainen johto, jotta pumppuun tulee täysi jännite. Tarkista, onko akussa riittävästi virtaa.
	Putket/liitännät rikkoutuneet liikaa kiristettyjen letkunkiristimien takia.	Vaihda rikkoutuneet liitännät.
	Pumppu on liian kaukana vesisäiliöstä	Pumppu kannattaa asentaa vesisäiliön viereen.
	Vesi vuotaa pumpun ulkopuolella	Tarkista, onko putkistossa/liittimissä vuotoja. Tarkista, että järjestelmän tyhjennystulpat ovat kiinni.
	Pumpun suodatin on tukossa	Irrota läpinäkyvä kansi, huuhtelee ja aseta suodatinrunkoon (asetä suodatinverkko kanneksi).

## 15. HUOLTOTIEDOT

**Whale (Munster Simms Engineering Ltd)**, Old Belfast Road, Bangor, N. Ireland BT19 1LT  
Tel: +44 (0)28 9127 0531 Fax: +44 (0)28 9146 6421 Email: info@whalepumps.com

**Whale Seaward Inc**, 91 Manchester Valley Road, Manchester Center, VT 05255  
Tel: 1 802 367 1091 Fax: 1 802 367 1095 Email: usasales@whalepumps.com

Whale® Watermaster® -pumppuihin on saatavana seuraavat huoltosarjat:

- AK1316 - Pumpun pää FW-pumput, veneisiin
- AK1317 - Mikrokytkinsarja
- AK1318 - Pumpun pää RV-pumput, asuntoautoihin
- AK1319 - Varasuodatin FW-pumput, veneisiin
- AK1320 - Varasuodatin RV-pumput, asuntoautoihin

## 16. PATENTIT JA TAVARAMERKIT

Whale® ja Watermaster® ovat Munster Simms Engineering Limitedin rekisteröityjä tavaramerkkejä, joiden kaupp nimi on Whale. Automaattiselle Whale® Watermaster® -painepumppulle on haettu seuraavaa patenttia: 1214335.0

Whale® Watermaster® on suojattu seuraavalla patentilla:

**Amerikka:** 6,840,745 **Kanada:** 2 380 465 **Iso-Britannia:** GB 1 222 392 **Ranska:** FR 1222 392  
**Italia:** IT 1 222 392 **Saksa:** DE 60018089.1(EP(DE) 1 222 392)

## 17. TAKUU

Tällä Whale®-tuotteella on 2 vuoden takuu. Rajoitetun takuun ehdot löytyvät oheisesta asiakirjasta.

## 18. DECLARATION DE CONFORMITE, STANDARDS, CERTIFICATIONS

Tämä tuote täyttää kaikkien olennaisten eurooppalaisten direktiivien ja standardien vaatimukset. Whale® antaa tarvittaessa lisätietoja.

### Valmistajan vakuutus

Täten vakuutamme, että tämä laite on seuraavien EU-direktiivien vaatimusten mukainen.

**EMC-direktiivi** 2004/108/EC jäsenvaltioiden sähkömagneettista yhteensopivuutta koskevien lakien mukaisesti. ISO10133:2000

**CE-merkintä kiinnitetty:** 30/05/2012

### Vaatimustenmukaisuuden perusteet

Edellä oleva laite on EMC-direktiivin suojausmääräysten

### Käytetyt standardit

ISO10133:2000	Pienoisjännite DC-asennus
EN55014-1:2006	EMC-päästöt
EN55014-2:1997+A2:2008	EMC-immuniteetti
EN28846 :1993	Syttymissuojaus
ABYC-H23	Juomavesiasennus



Päivämäärä: 30/05/2012  
Asema: Tekniikkapäällikkö



©Copyright Whale® 2013- All rights reserved.

WHALE® and Watermaster® are registered trademarks of Munster Simms Engineering Limited, Bangor Northern Ireland trading as Whale.

Whale's policy is one of continuous improvement and we reserve the right to change specifications without prior notice.

Illustrations are for guidance purposes only.

Whale Support

Old Belfast Road, Bangor, N. Ireland BT19 1LT

Tel: +44 (0)28 9127 0531

Fax: +44 (0)28 9146 6421

Email: [info@whalepumps.com](mailto:info@whalepumps.com)

[www.whalepumps.com](http://www.whalepumps.com)

Whale Support (The Americas)

91 Manchester Valley Road, Manchester Center, VT 05255

Tel: 1 802 367 1091

Fax: 1 802 367 1095

Email: [usasales@whalepumps.com](mailto:usasales@whalepumps.com)

[www.whalepumps.com](http://www.whalepumps.com)