

LOWRANCE

SIMRAD

B&G

WM-3

Installation Guide

English



### Supplied Parts

Optional extension cable 10 m (33 ft) (p/n 000-11095-001)

### Surface Mount the Antenna

- 
- 
- 

Run the antenna cable from the module to the antenna location. Extend using optional extension cable 10 m (33 ft) Max 2 (p/n 000-11095-001)

### Drill Template

Surface mount cable exit

Place the ESN sticker for your WM-3 antenna in the box below.

Place the ESN sticker here

(Screen-shots taken from Simrad MFD)

### Antenna Mounting Location

Radio Transmitter: 2 m (6 ft) Min  
RADAR: 0.5 m (20') Min  
Electromagnetic Interference

- 
- 
- 

Check dimensions before drilling

6" / 150 mm

### Activating the WM-3

You must purchase a SiriusXM subscription to use the WM-3 module. Individual weather and audio subscriptions are available. You can also purchase a subscription that includes both weather and audio.

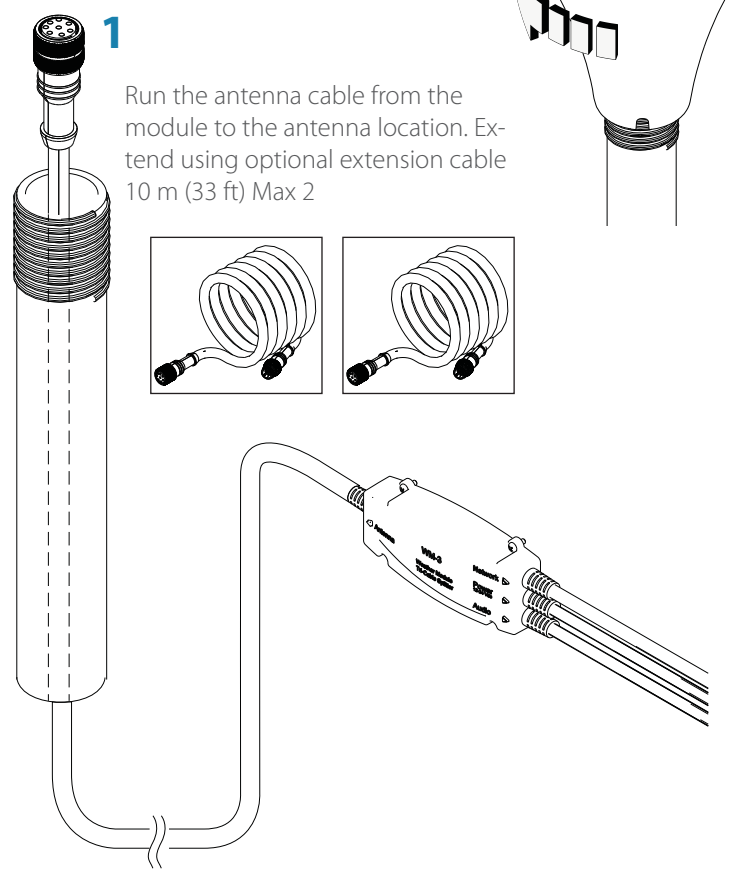
For more information refer to [www.siriusxm.com/marineweather](http://www.siriusxm.com/marineweather)

#### To activate a SiriusXM subscription:

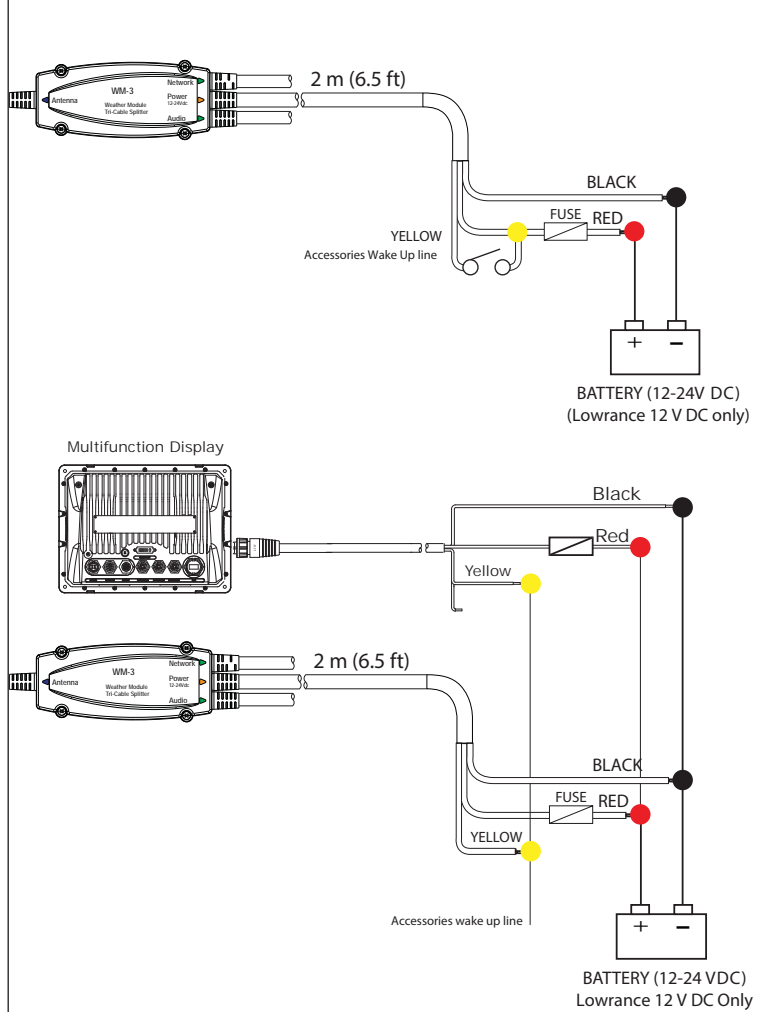
- After the WM-3 module is installed, locate the label on the front flap of the WM-3 carton
- Record your ESN number (SIRIUS ID) and contact SiriusXM at 855-796-9847. SiriusXM Marine Weather service can only be activated by phone. A credit card will be required for subscription to the SiriusXM service.
- Access Sirius status screen to make sure subscription (Weather Status, Audio Status, or both) is listed as Active. If your account is inactive, contact information for Sirius will be displayed.
- Check the SiriusXM signal level (1 is weak; 3 is excellent).

# Pole Mount

2



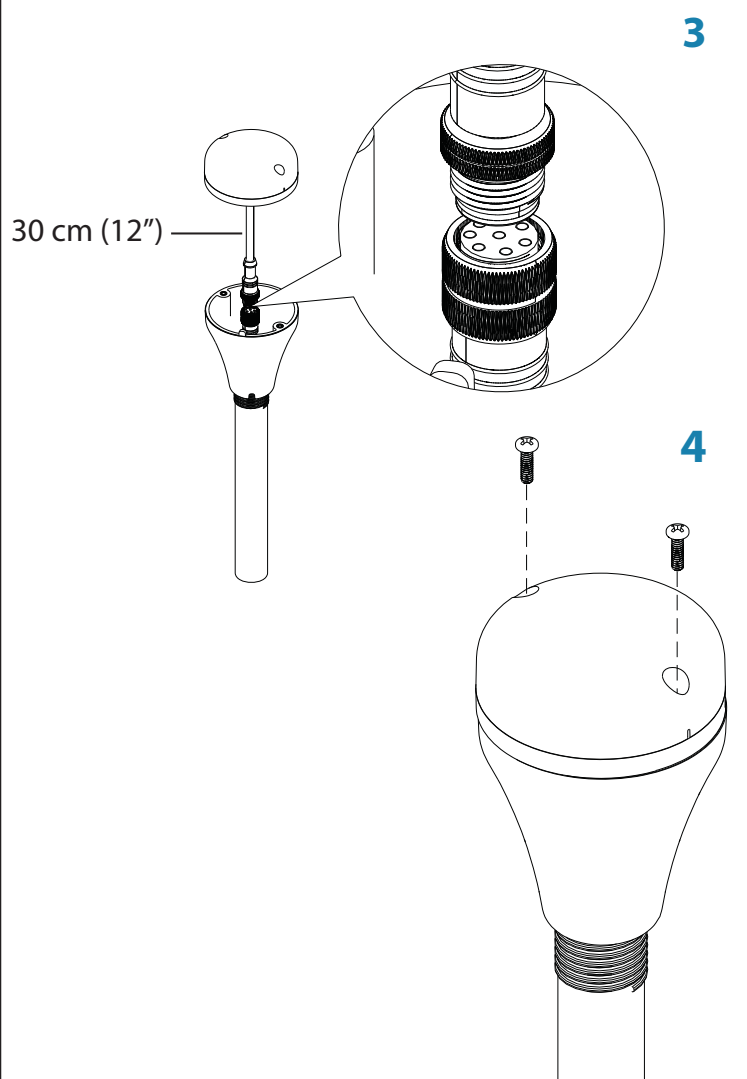
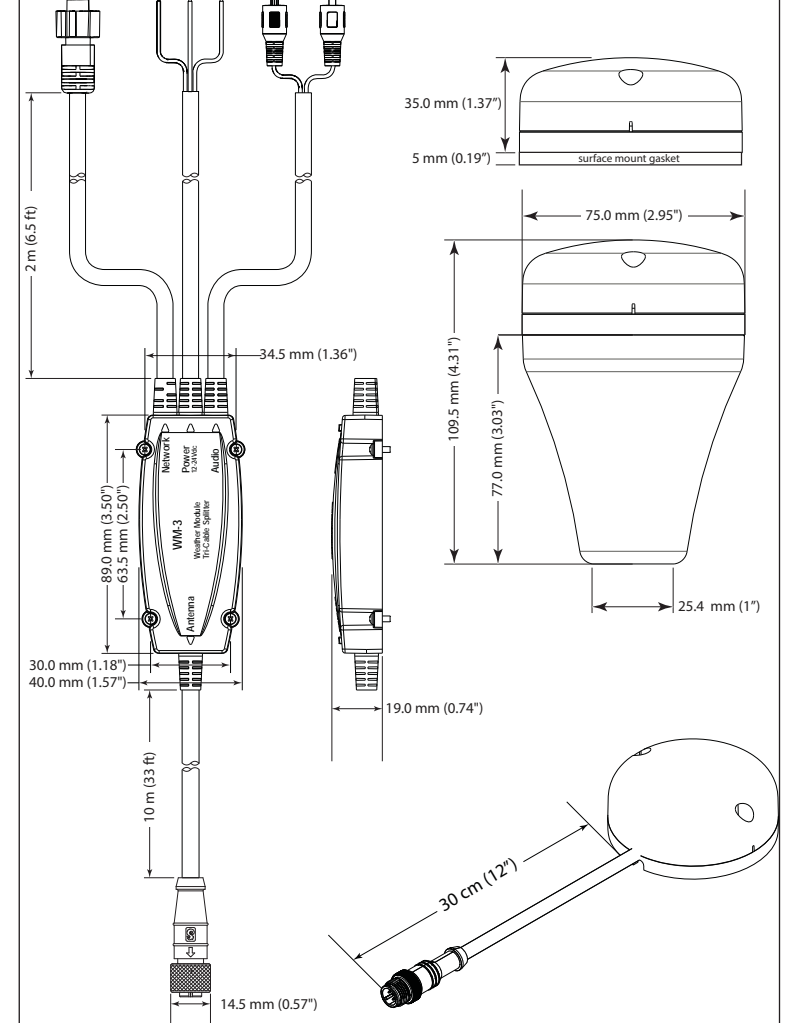
# Power



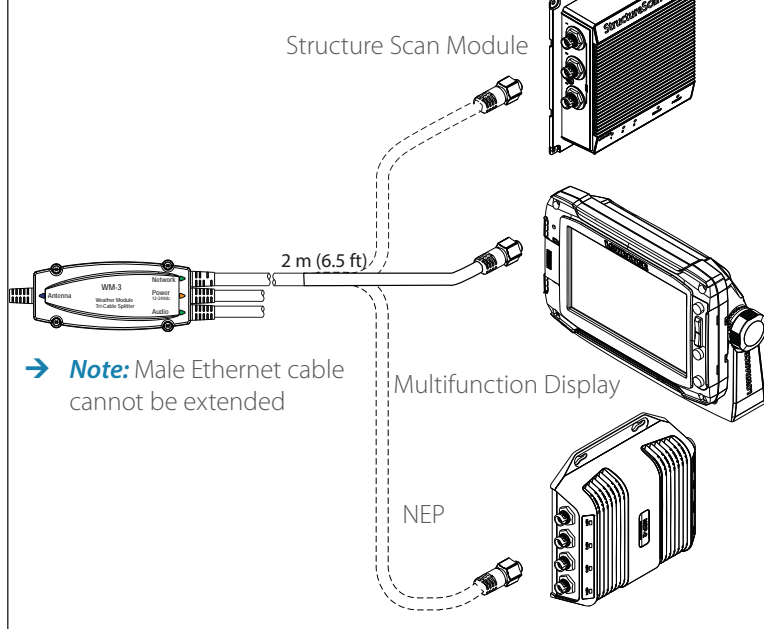
# Specifications

Power:	For operation on both nominal 12 and 24 VDC +9 min to +32 VDC max Input Internal self-resetting fuse
Power consumption:	Less than 3W
Antenna:	SiriusXM Antenna. 10m (33 ft) cable molded in to the WM-3 Module. Antenna cable can be extended using optional extension cable 10 m (33 ft) (p/n 000-11095-001) Max. x 2
Audio:	Connects to stereo sound systems with analog audio inputs. RCA connectors (Male)
Thermals:	Operating: -15°C to 55°C (5°F to 131°F) Non-operating: -30°C to +85°C (-22°F to 185°F)
FCC:	This device complies with Part 15 of the FCC Rules. Operation is subject to the following two conditions: (1) this device may not cause harmful interference, and (2) this device must accept any interference received, including interference that may cause undesired operation.
Vibration:	IEC 60945 paragraph 8.7
Water Ingress:	EN 60529 IPX7
<b>Spares</b>	
000-11103-001	WM-3 Antenna Receiver
000-11104-001	WM-3 Tri-cable Splitter
000-11105-001	WM-3 Install Kit

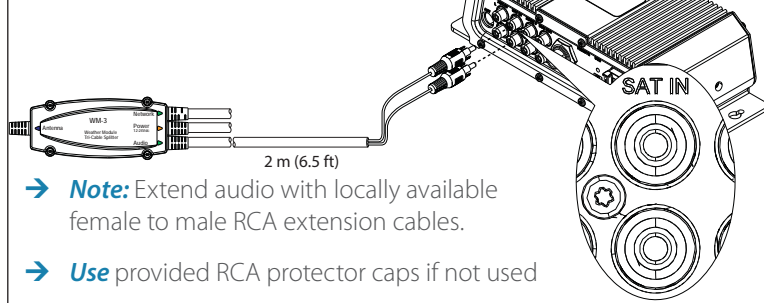
# Dimensions



# Ethernet



# Audio



# LEDs

Status	LED	Status	Comment
Power	Solid blue	External power on	
	Off	No power	
Antenna	Solid yellow	Antenna Receiver connected	
	1 x blink yellow	No SXM signal	
	Fast blink yellow	Antenna Receiver failure	
Network	Off	Antenna Receiver not connected	With power applied
	Solid green	Link active	
	Data blink green	Data activity	
Audio	Solid orange	Normal operation	
	Fast blink orange	SiriusXM module failure	
	Off	Channel silent	e.g. channel 0 or muted

# Tri-Cable Splitter Mounting

