

LOWRANCE

SIMRAD

B&G

WIFI-1

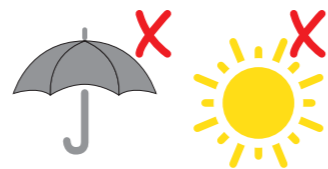
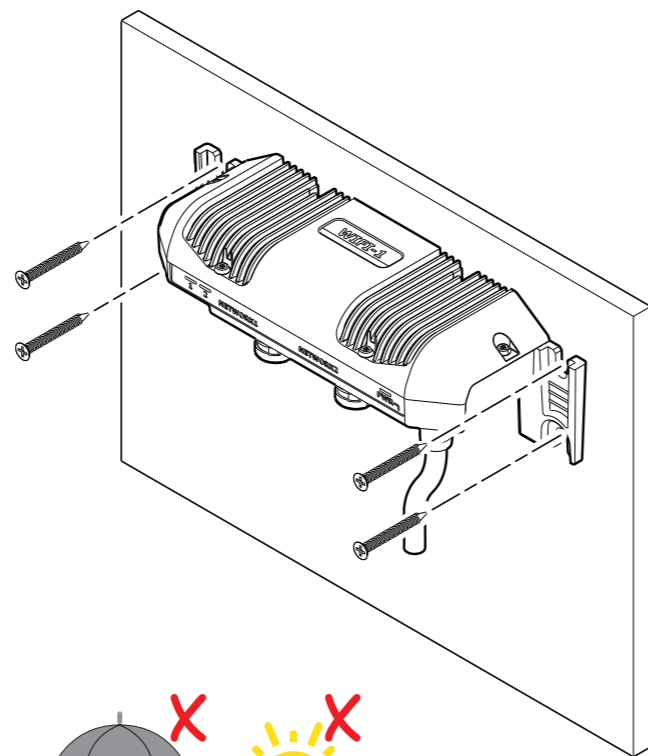
Installation Guide

English

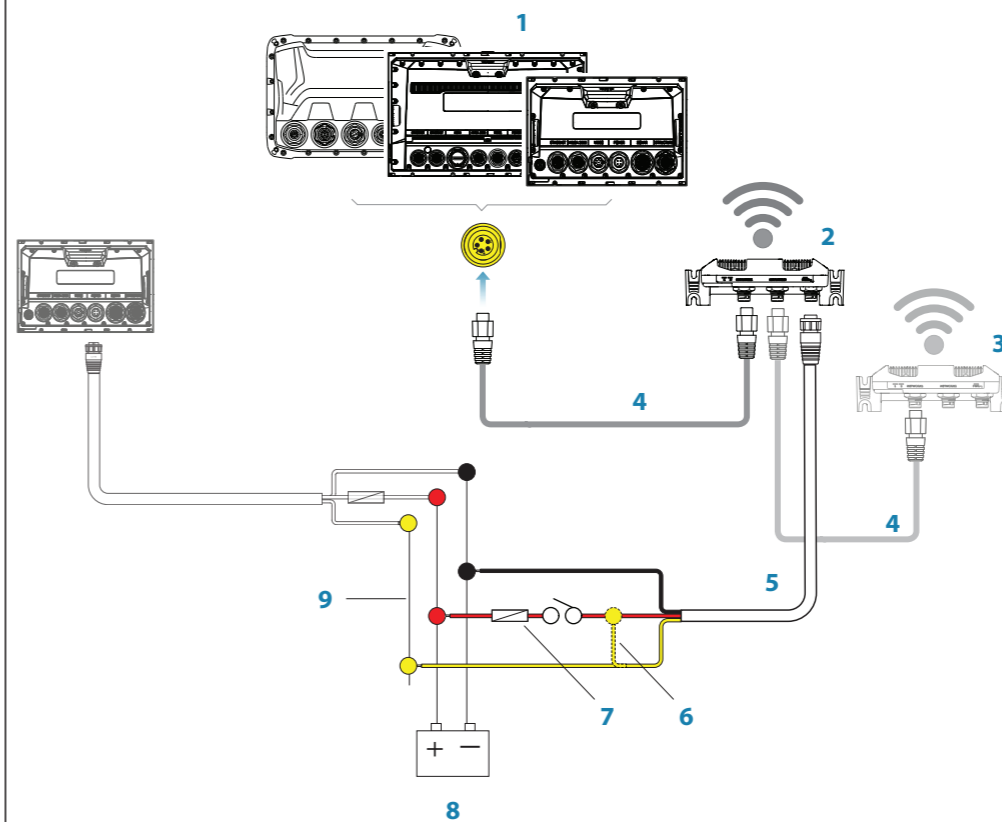


www.bandg.com | www.simrad-yachting.com | www.lowrance.com

Installing

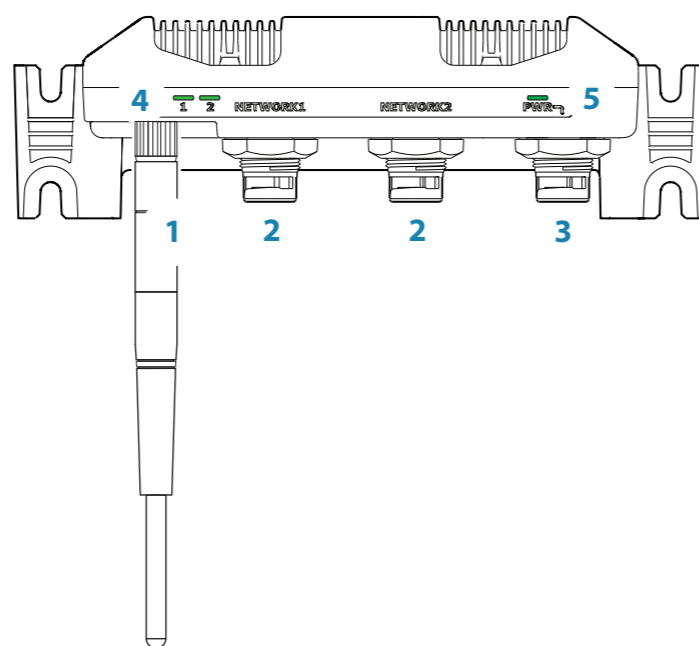


Wiring



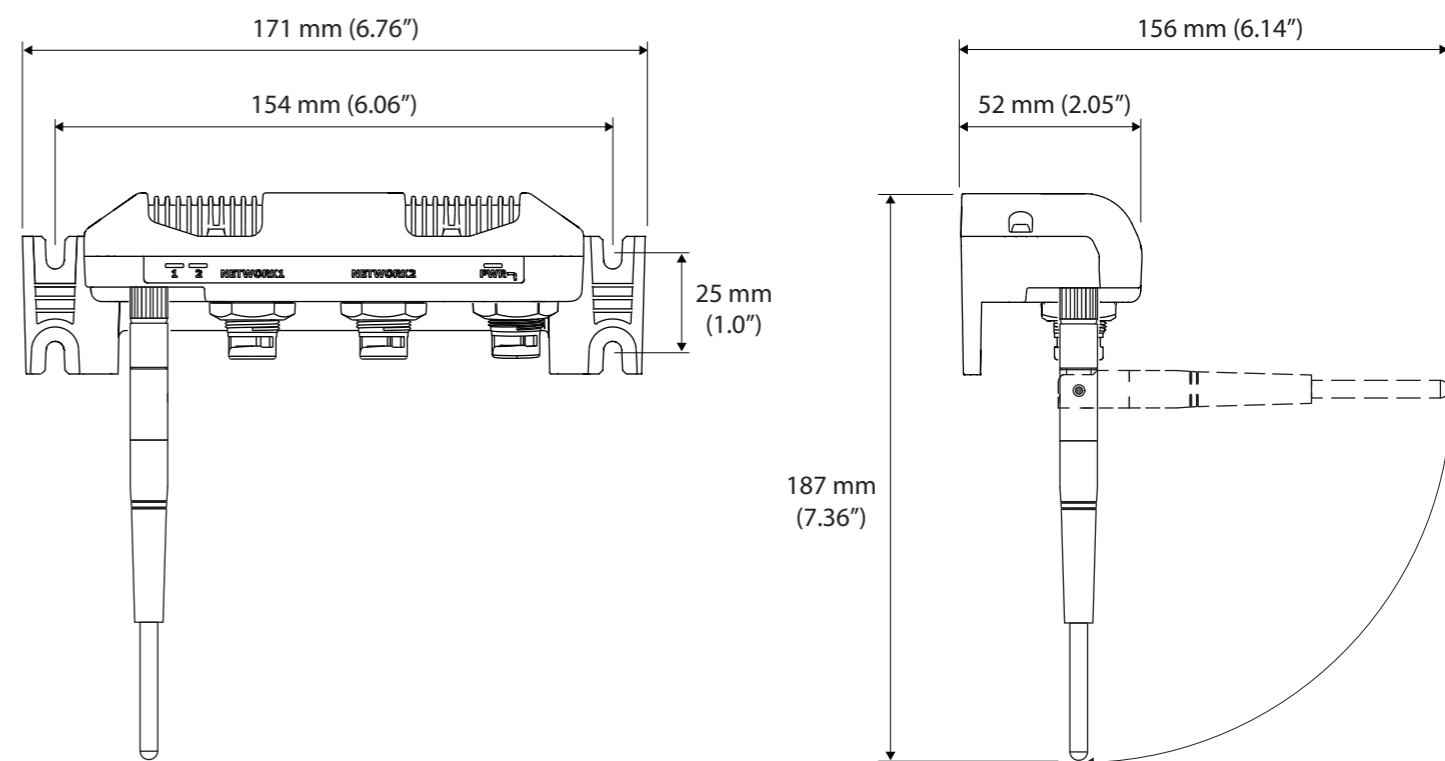
Key	Description
1	Multi-function display, SonarHub™, StructureScan® or other WIFI-1
2	WIFI-1
3	Optional second WIFI-1 to use when connecting your phone/tablet for viewing/controlling the display unit and the primary WIFI-1 is used for accessing the internet. For more information, refer to "WIFI-1 modes".
4	Ethernet cable
5	Power cable
6	Remote power on: WIFI-1 will turn on when power is applied
7	Fuse or breaker
8	12 V DC
9	Remote power on: WIFI-1 will turn on when the MFD is turned on (MFD needs to be set to power on master)

Layout



Key	Description
1	Antenna
2	Ethernet ports
3	Power connector
4	Ethernet LEDs. Green: port is active
5	Power LED. Red: power on

Dimensional drawing



LOWRANCE

SIMRAD

B&G



Set administrator password

For security purposes, we recommend you change the administrator password. When you connect the WIFI-1 to your display network, follow the prompts on your display unit to change the administrator password. Remember to note the new password.

Note: After changing the password, the WIFI-1 will restart and will be offline for about 30 seconds.

WIFI-1 modes

The WIFI-1 can be operated in one of two modes:

Connecting your phone/tablet mode

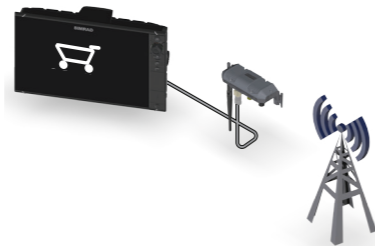
Use the wireless settings dialog to connect mobile devices to the MFD via the WIFI-1. Use the Navico®/brand mobile app on the mobile device to access the vessel's navigation information. For more information about the Navico®/brand mobile app, refer to the MFD documentation.



Accessing the Internet mode

In the MFD, use the **Connect to the Internet** option in the wireless settings dialog to access the internet via the WIFI-1.

Note: While accessing the Internet, mobile devices can no longer access the MFD navigation information unless there is a second WIFI-1 connected to the system, or the unit has a built-in WIFI module.



Compliance statements

This device complies with CE under RED Directive 2014/53/EU. The relevant Declaration of conformity is available in the product's section at the following website: www.bandg.com, www.simrad-yachting.com, or www.lowrance.com

WIFI-1 complies with UKCA under The Radio Equipment Regulations 2017. The relevant Declaration of conformity is available in the product's section at the following website: www.bandg.com, www.simrad-yachting.com, or www.lowrance.com

This device complies with Part 15 of the FCC Rules. Operation is subject to the following two conditions: (1) this device may not cause harmful interference, and (2) this device must accept any interference received, including interference that may cause undesired operation.

Warning: Navico® is not responsible for any changes or modifications not expressly approved by the party responsible for compliance. Such modifications could void the user's authority to operate the equipment.

Note: This equipment generates, uses and can radiate radio frequency energy and, if not installed and used in accordance with the instructions, may cause harmful interference to radio communications. However, there is no guarantee that the interference will not occur in a particular installation. If this equipment does cause harmful interference to radio or television reception, which can be determined by turning the equipment off and on, the user is encouraged to try to correct the interference by one or more of the following measures:

- Reorient or relocate the receiving antenna.
- Increase the separation between the equipment and receiver.

- Connect the equipment into an outlet on a circuit different from that of the receiver is connected.
- Consult the dealer or an experienced technician for help.

This device complies with Innovation, Science and Economic Development Canada's licence-exempt RSSs. Operation is subject to the following two conditions:

- (1) This device may not cause interference; and
- (2) This device must accept any interference, including interference that may cause undesired operation of the device.

La traduction française de ce document est disponible sur le site Web du produit.

Specifications

WIFI-1 features	
Marinised construction	IPX5
Wireless standards	802.11 b/g
Ethernet network ports	2
Automatic configuration	Plug-n-play
Power supply	12 V DC, 200 mA
Supported hotspot security	WPA-PSK, WPA2, WPE 64/128 bit encryption, TKIP encryption

References

For a list of supported features, or to download the latest software for your MFD, please visit:

www.bandg.com, www.simrad-yachting.com, www.lowrance.com