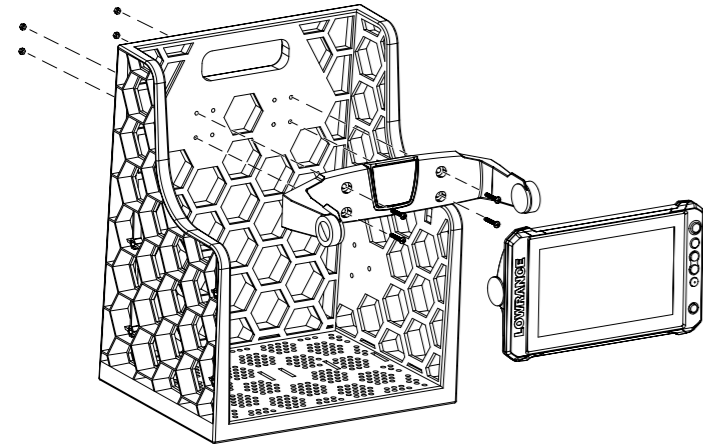


Assembling the ice bag

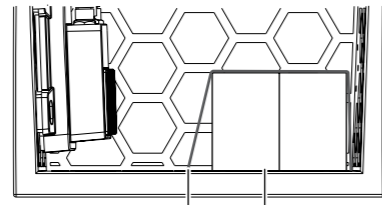
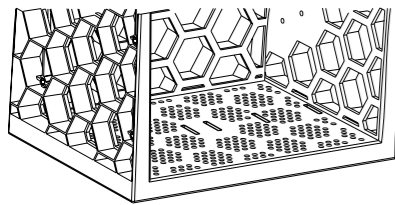
Mounting the display unit

The ice bag can hold up to a 9" Lowrance® multi-function display (MFD). Mount the display on the inner frame of the ice bag using a gimbal bracket.



⚠ WARNING: To avoid the risk of electrical shock, fire, or other serious injury, make sure there is no electrical power when completing the wiring connections of the multi-function display and/or modules. The units must be powered off before connecting the power cable to the battery.

Securing the battery pack

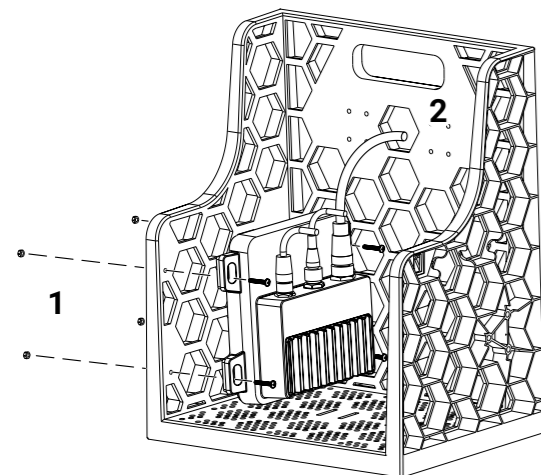


- A Velcro strap
- B Lithium battery

Mounting the sonar module

- 1 Mount the sonar module on the left inner side of the frame using the designated mounting holes, and insert the frame into the bag.
- 2 Slide the transducer cable through the designated hole in the back storage pocket and through the inner frame, and plug it into the sonar module.

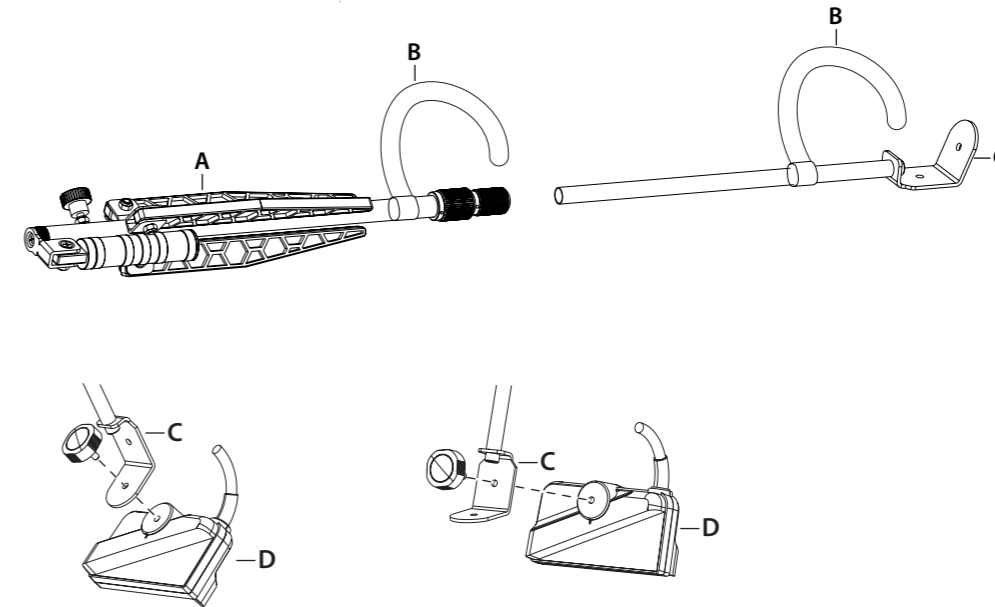
→ Note: The sonar module must be powered off when connecting the transducer to the module.



Assembling the ice pole

The ice pole has an extendable shaft with transducer mount for ice fishing. The mount has a two angle position that allows the ActiveTarget® transducer to fit in a standard 8" diameter hole, regardless of its view angle – Forward, Down or Scout.

A tripod allows the ice pole to be mounted directly on ice and rotated in the desired direction.



- A Tripod ice bracket
- B Velcro straps
- C Transducer mount
- D ActiveTarget® transducer

RAM mount (optional)

